

KUBOTA**EXCAVATORS****WHOLEGOODS PRICE LIST
EFFECTIVE January 1st, 2022**

These pages are a complete revision of this
section of your price book.
All prices are effective January 1st, 2022

Page 4: K008-5 Excavator
 Page 8: U10-5 Excavator
 Page 54 & 60 K6131 - 5-6T [U55-5/KX057-5] Pin Grabber Coupler
 Page 65: K6141 - 8T [KX080-4S2] Pin Grabber Coupler
 Page 54: K6152 - U55-5 Pin Grabber Completion Kit
 Page 60: K6142 - KX057-5 Pin Grabber Completion Kit
 Page: 65 K6162 - KX080-4S2 Pin Grabber Completion Kit
 Page 54 & 60: K6124 - 5-6T [U55-5/KX057-5] Hydraulic Thumb for Pin Grabber Coupler
 Page 65: K6125 - 8T [KX080-4S2] Hydraulic Thumb for Pin Grabber Coupler
 Page 54 & 60: K6163 - 12" Pin On Trenching Bucket
 Page 54 & 60: K6164 - 18" Pin On Trenching Bucket
 Page 54 & 60: K6164C - 18" Pin On Trenching Bucket w/o Teeth
 Page 54 & 60: K6165 - 24" Pin On Trenching Bucket
 Page 54 & 60: K6165C - 24" Pin On Trenching Bucket w/o Teeth
 Page 54 & 60: K6166 - 30" Pin On Trenching Bucket
 Page 55 & 61 K6167 - 36" Pin On Trenching Bucket
 Page 55 & 61: K6134 - 36" Pin On Grading Bucket
 Page 55 & 61: K6136 - 48" Pin On Drainage Bucket
 Page 32 & 37: K7849 - Hydraulic Quick Coupler - KX033-4, U35-4
 Page 32 & 37: K7415 - Hydraulic Completion Kit for KX033-4 & U35-4
 Page 55 & 61 K7918C - 18" Trenching Bucket w/o Teeth
 Page 55 & 62 K7919C - 24" Trenching Bucket w/o Teeth
 Page 32, 37, & 44 K7874C - 18" Trenching Bucket w/o Teeth
 Page 32, 37, & 45 K7875C - 24" Trenching Bucket w/o Teeth

KUBOTA

This page intentionally left blank.

KUBOTA

Page Number	Model	Basic Unit	Dig Depth	Factory #	Appx WT	SLP
15-4	K008-5	ROPS	5'8"	K17K330A28	2315	\$22,803.00
15-6	K008T4	ROPS	5'8"	K18K196A68	1885	\$23,943.00
15-8	U10-5	ROPS	5'11"	K19K099A56	2646	\$25,131.00
15-10	U17VR1	ROPS	7'7"	K23K687A68	3814	\$31,168.00
15-14	KX018-4R1	ROPS	7'9"	K25K529A92	3747	\$33,592.00
15-18	U25R1T4	ROPS	9'3"	K28K329A00	5625	\$37,275.00
15-22	U27-4R1	ROPS	9'5"	K29K531A32	5688	\$38,857.00
15-26	KX71-3S4R1	ROPS	9'9"	K32K058A32	6550	\$42,182.00
15-30	KX033-4R1	ROPS/straight	10'6"	K36K758A92	6978	\$48,367.00
15-35	U35-4R1	ROPS/straight	9'9"	K36K272A52	8478	\$47,727.00
15-40	KX040-4R1	ROPS/straight	11'2"	K43K006A12	8576	\$56,587.00
15-47	U48-5R1	ROPS/straight	10' 8"	K46K840A32	12535	\$61,632.00
15-52	U55-5R1	ROPS/straight	11' 11"	K50K847A04	12535	\$66,904.00
15-58	KX057-5R1	ROPS/straight	12' 9"	K54K229A04	12048	\$71,354.00
15-63	KX080-4S2R3	Cab/straight	15'1"	K81K719A76	18596	\$107,526.00
15-69	Excavator Replacement Engines					
15-70	Popular Quick Attach Bucket Pictures					



K008-5

Hydraulic Excavator

FEATURES

Rubber Tracks
 2-Post Foldable ROPS
 Variable Width Track Frame
 2 Gear Type Pumps
 Two Operating Pattern Selection System
 Standard Front Dozer Blade
 360 Degree Full Rotation
 55° Left and 55° Right Boom Swing Angle
 5.5 GPM Auxiliary Hydraulics Port
 Five Second Quick Preheat System
 Key Switch Stop System
 Self Bleed Fuel System
 Two Speed Travel

BASIC UNIT

K008-5, Rubber tracks, 2-Post Foldable ROPS

DIMENSIONS AND OPERATING WEIGHT

K008-5:
 Overall Length 9' 0"
 Overall Width 2'4" ~ 2'10"
 Overall Height 7'4"
 Operating Weight* 2315 lbs.
 Ground Clearance 5.9"
 *Includes operator's weight of 175 lbs.

ENGINE

D722 Kubota E-TVCS Tier 4 Final Diesel Engine
 3 Cylinder, 4 Cycle
 10.3 Gross HP (SAE J1995) @ 2050 RPM
 10.1 Net HP (SAE J1349) @ 2050 RPM

OPERATIONAL DIMENSIONS

Max Digging Depth	5' 8"
Max Digging Radius @ Ground Level	9' 11"
Max Vertical Digging Depth	4' 6"
Max Dumping Height	6' 8"

DOZER BLADE DIMENSIONS

Width	28"/34"
Height	7.9"
Lift Above Ground	7.9"
Drop Below Ground	7.1"

PERFORMANCE

Digging Force @ Bucket (K9776)	2205 lbs.
Digging Force @ Dipper Arm	1010 lbs.
Travel Speed (Low/High)	1.2/2.5 mph
Climbing Ability	27% / 15°
Ground Pressure	4.2 psi
Lift Capacity	660 lbs.
<ul style="list-style-type: none"> • Over End • Blade Grounded • 2 Ft. Load Point Height • 6 Ft. Load Radius 	

KUBOTA**K Series K008-5**

ORDER CODE	DESCRIPTION	FACTORY NUMBER	APPROX SHIP WT.	SUGGESTED LIST PRICE
PART 1	MODEL K008-5 BASIC UNIT			
K008-5	Excavator Basic Unit With: Rubber Tracks, 2-Post Foldable ROPS, Dozer Blade, Dipper Arm, and Counterweight	K17K503A56	2190	\$23,031.00
PART 2	BUCKETS			
K9775	10 inch 0.49 cu. ft. Bucket (Welded teeth)	K275A88	36	\$363.00
K9776	14 inch 0.74 cu. ft. Bucket (Welded teeth)	K333A64	44	\$439.00
K7759	8 inch 0.35 cu. ft. H.D. Bucket (Bolt-on teeth)	K443A08	45	\$583.00
K7760	10 inch 0.49 cu. ft. H.D. Bucket (Bolt-on teeth)	K449A92	57	\$592.00
K7768	12 inch 0.63 cu. ft. H.D. Bucket (Bolt-on teeth)	K461A32	53	\$607.00
K7769	16 inch 0.9 cu. ft. H.D. Bucket (Bolt-on teeth)	K514A52	70	\$677.00
PART 3	ATTACHMENTS			
K7113	Two Way Service Port Hydraulic Kit	K228A76	6	\$301.00
K9943A	The K7748 converts the auxiliary hydraulics from one way to two way 3" Seat Belt Option As required in some states for OSHA compliance.	K71A44	3	\$94.00
PART 4	ROPS / OPG (Top Guard, Level I)			
K7203	Replacement 2-Post Foldable ROPS	KA0	154	\$0.00
PART 5	KubotaNOW Telematics Service (each order will require the DCU6700 modem and model			
DCU6700	AT&T Telematics Modem	K300A20	1	\$395.00
TBD	Excavator Telematics Wiring Harness <i>KubotaNOW Telematics Service includes a three (3) year term</i>	#N/A	#N/A	#N/A

KUBOTA**K008-3T4****Hydraulic Excavator****FEATURES**

Rubber Tracks
2-Post Foldable ROPS
Variable Width Track Frame
2 Gear Type Pumps
Two Operating Pattern Selection System
Standard Front Dozer Blade
360 Degree Full Rotation
55° Left and 60° Right Boom Swing Angle
5.5 GPM Auxiliary Hydraulics Port
Five Second Quick Preheat System
Key Switch Stop System
Self Bleed Fuel System
Two Speed Travel

BASIC UNIT

K008-3T4, Rubber tracks, 2-Post Foldable ROPS

DIMENSIONS AND OPERATING WEIGHT

K008-3T4 with K9776 Bucket	
Overall Length	9' 0"
Overall Width	2'4" ~ 2'10"
Overall Height	7'4"
Operating Weight*	2200 lbs.
Ground Clearance	5.9"

*Includes operator's weight of 175 lbs.

ENGINE

D722 Kubota E-TVCS Tier 4 Final Diesel Engine
3 Cylinder, 4 Cycle
10.3 Gross HP (SAE J1995) @ 2050 RPM
10.1 Net HP (SAE J1349) @ 2050 RPM

OPERATIONAL DIMENSIONS

Max Digging Depth	5' 8"
Max Digging Radius @ Ground Level	9' 11"
Max Vertical Digging Depth	4' 6"
Max Dumping Height	6' 8"

DOZER BLADE DIMENSIONS

Width	28"/34"
Height	7.9"
Lift Above Ground	7.9"
Drop Below Ground	7.1"

PERFORMANCE

Digging Force @ Bucket (K9776)	2200 lbs.
Digging Force @ Dipper Arm	1010 lbs.
Travel Speed (Low/High)	1.2/2.5 mph
Climbing Ability	27% / 15°
Ground Pressure	3.5 psi
Lift Capacity	660 lbs.
<ul style="list-style-type: none"> • Over End • Blade Grounded • 2 Ft. Load Point Height • 6 Ft. Load Radius 	

KUBOTA**K Series K008-3T4**

ORDER CODE	DESCRIPTION	FACTORY NUMBER	APPROX SHIP WT.	SUGGESTED LIST PRICE
PART 1	MODEL K008T4 BASIC UNIT			
K008T4	Excavator Basic Unit	K17K330A28	1885	\$22,803.00
	With: Rubber Tracks, 2-Post Foldable ROPS, Dozer Blade, Dipper Arm, and Counterweight			
PART 2	BUCKETS			
K9775	10 inch 0.49 cu. ft. Bucket (Welded teeth)	K275A88	36	\$363.00
K9776	14 inch 0.74 cu. ft. Bucket (Welded teeth)	K333A64	44	\$439.00
K7759	8 inch 0.35 cu. ft. H.D. Bucket (Bolt-on teeth)	K443A08	45	\$583.00
K7760	10 inch 0.49 cu. ft. H.D. Bucket (Bolt-on teeth)	K449A92	57	\$592.00
K7768	12 inch 0.63 cu. ft. H.D. Bucket (Bolt-on teeth)	K461A32	53	\$607.00
K7769	16 inch 0.9 cu. ft. H.D. Bucket (Bolt-on teeth)	K514A52	70	\$677.00
PART 3	ATTACHMENTS			
K7748	Two Way Service Port Hydraulic Kit The K7748 converts the auxiliary hydraulics from one way to two way flow. Includes manual, hydraulic hoses, and fittings	K228A76	6	\$301.00
K9797	3" Seat Belt Option As required in some states for OSHA compliance.	K69A92	3	\$92.00
K7802	Spark Arrestor Muffler Kit Optional kit for use in close proximity with grass, brush, timber and similar material with potential for ignition. Requires K7812 Spark Arrestor Screen	K95A00	7	\$125.00
K7812	Spark Arrestor Screen Required for K7802 installation.	K26A60	4	\$35.00
PART 4	ROPS / OPG (Top Guard, Level I)			
K7787	Replacement 2-Post Foldable ROPS	K602A68	154	\$793.00
PART 5	KubotaNOW Telematics Service (each order will require the DCU6700 modem and model			
DCU6700	AT&T Telematics Modem	K300A20	1	\$395.00
K6705	Excavator Telematics Wiring Harness	K98A80	2	\$130.00
	<i>KubotaNOW Telematics Service includes a three (3) year term</i>			



U10-5

Hydraulic Excavator

FEATURES

Rubber Tracks
 2-Post Foldable ROPS
 Variable Width Track Frame
 2 Gear Type Pumps
 Two Operating Pattern Selection System
 Standard Front Dozer Blade
 360 Degree Full Rotation
 55° Left and 55° Right Boom Swing Angle
 5.5 GPM Auxiliary Hydraulics Port
 Five Second Quick Preheat System
 Key Switch Stop System
 Self Bleed Fuel System
 Two Speed Travel

BASIC UNIT

U10-5, Rubber tracks, 2-Post Foldable ROPS

DIMENSIONS AND OPERATING WEIGHT

U10-5:
 Overall Length 9' 9"
 Overall Width 2' 6" ~ 3' 3"
 Overall Height 7' 5"
 Operating Weight* 2646 lbs.
 Ground Clearance 5.5"
 *Includes operator's weight of 165 lbs.

ENGINE

D722 Kubota E-TVCS Tier 4 Final Diesel Engine
 3 Cylinder, 4 Cycle
 10.3 Gross HP (SAE J1995) @ 2050 RPM
 10.1 Net HP (SAE J1349) @ 2050 RPM

OPERATIONAL DIMENSIONS

Max Digging Depth	5' 11"
Max Digging Radius @ Ground Level	10' 11"
Max Vertical Digging Depth	5' 1"
Max Dumping Height	7' 3"

DOZER BLADE DIMENSIONS

Width	30"/39"
Height	7.9"
Lift Above Ground	7.9"
Drop Below Ground	7.1"

PERFORMANCE

Digging Force @ Bucket (K9776)	2337 lbs.
Digging Force @ Dipper Arm	1010 lbs.
Travel Speed (Low/High)	1.2/2.5 mph
Climbing Ability	27% / 15°
Ground Pressure	4.3 psi
Lift Capacity	660 lbs.

- Over End
- Blade Grounded
- 2 Ft. Load Point Height
- 6 Ft. Load Radius

KUBOTA**K Series U10-5**

ORDER CODE	DESCRIPTION	FACTORY	APPROX	SUGGESTED LIST
PART 1	MODEL U10-5 BASIC UNIT			
U10-5	Excavator Basic Unit With: Rubber Tracks, 2-Post Foldable ROPS, Dozer Blade, Dipper Arm, and Counterweight	K19K099A56	2646	\$25,131.00
PART 2	BUCKETS			
K9775	10 inch 0.49 cu. ft. Bucket (Welded teeth)	K275A88	36	\$363.00
K9776	14 inch 0.74 cu. ft. Bucket (Welded teeth)	K333A64	44	\$439.00
K7759	8 inch 0.35 cu. ft. H.D. Bucket (Bolt-on teeth)	K443A08	45	\$583.00
K7760	10 inch 0.49 cu. ft. H.D. Bucket (Bolt-on teeth)	K449A92	57	\$592.00
K7768	12 inch 0.63 cu. ft. H.D. Bucket (Bolt-on teeth)	K461A32	53	\$607.00
K7769	16 inch 0.9 cu. ft. H.D. Bucket (Bolt-on teeth)	K514A52	70	\$677.00
PART 3	ATTACHMENTS			
K7147	Two Way Service Port Hydraulic Kit The K7748 converts the auxiliary hydraulics from one way to two way	K228A76	6	\$301.00
K9943A	3" Seat Belt Option As required in some states for OSHA compliance.	K71A44	3	\$94.00
K7114	Replacement 2-Post Foldable ROPS	KA0	154	\$0.00
PART 5	KubotaNOW Telematics Service (each order will require the DCU6700 modem and model			
DCU6700	AT&T Telematics Modem	K300A20	1	\$395.00
TBD	Excavator Telematics Wiring Harness	#N/A	#N/A	#N/A
	<i>KubotaNOW Telematics Service includes a three (3) year term</i>			



U17VR1

Zero Tail Swing Hydraulic Excavator

FEATURES

Zero Tail Swing
 Short Pitch Rubber Tracks
 ROPS/OPG (Top Guard, Level 1) 4 Post Canopy
 Variable Width Track Frame
 Kubota 3 Hydraulic Pump Design
 1 Gear, 2 Variable Displacement Pumps
 Hydraulic Joystick Controls with Wrist Rests
 Two Operating Pattern Selection System
 Standard Front Dozer Blade with Extensions
 360 Degree Full Rotation
 65° Left and 58° Right Boom Swing Angle
 7.3 GPM Auxiliary Hydraulics Port
 Five Second Quick Preheat System
 Key Switch Stop System
 Self Bleed Fuel System
 Two Speed Travel

BASIC UNIT

U17VR1, Rubber tracks, 4-Post ROPS/OPG (Top Guard, Level 1)

DIMENSIONS AND OPERATING WEIGHT

U17VR1, Rubber tracks, 4-Post ROPS/OPG (Top Guard, Level 1)
 Overall Length 11' 7"
 Overall Width 3'3" ~ 4'1"
 Overall Height 7'8"
 Operating Weight* 3703 lbs.
 Ground Clearance 5.9"
 *Includes operator's weight of 175 lbs.

ENGINE

D902 Kubota E-TVCS Tier 4 Final Diesel Engine
 3 Cylinder, 4 Cycle
 16.1 Gross HP (SAE J1995) @ 2300 RPM
 15.1 Net HP (SAE J1349) @ 2300 RPM

OPERATIONAL DIMENSIONS

Max Digging Depth	7' 7"
Max Digging Radius @ Ground Level	12' 7"
Max Vertical Digging Depth	6' 3"
Max Dumping Height	8' 0"

DOZER BLADE DIMENSIONS

Width	3'3"/4'1"
Height	10.3"
Lift Above Ground	11.0"
Drop Below Ground	7.5"

PERFORMANCE

Digging Force @ Bucket (K7970)	3417 lbs.
Digging Force @ Dipper Arm	1918 lbs.
Travel Speed (Low/High)	1.4/2.6 mph
Climbing Ability	36% / 20°
Ground Pressure	3.8 psi
Lift Capacity	1140 lbs.
<ul style="list-style-type: none"> • Over End • Blade Grounded • 2 Ft. Load Point Height • 8 Ft. Load Radius 	



K Series U17VR1

HOW TO SELECT A U17VR1 EXCAVATOR (Sample Order Information Page)

Below is an example of a complete U17VR1 order. To submit your order, please select the Basic Unit Model that you desire from Part 1. Then select the attachments from Parts 2 and 3 needed to complete your order.

STEP 1)	Select from Part 1 the Basic Unit that fits your needs. For example, choose a U17VR1 and get: Base Model, rubber tracks, 4-post ROPS/OPG (Top Guard, Level I) canopy, dozer blade, dipper arm and counterweight.
STEP 2)	Select from Parts 2 and 3 the attachments necessary to make the unit a complete machine. Choose buckets and quick couplers .

(SAMPLE ORDER)

ORDER CODE	DESCRIPTION	FACTORY NUMBER	APPROX. SHIP WT.	SUGGESTED LIST PRICE
STANDARD UNIT U17VR1 COMPLETE ORDER AND PRICE				
BASIC UNIT:				
U17VR1	EXCAVATOR WITH: Rubber Tracks 4-Post ROPS/OPG (Top Guard, Level I) Canopy Dozer Blade Dipper arm Counterweight	K23K687A68	3814	\$31,168.00
ATTACHMENTS:				
K7966A	Quick Coupler	K626A24	20	\$824.00
K7970	18" 1.5 cu. ft. Trenching Bucket	K701A48	115	\$923.00
				\$32,915.00

KUBOTA**K Series U17VR1**

ORDER CODE	DESCRIPTION	FACTORY NUMBER	APPROX SHIP WT.	SUGGESTED LIST PRICE
PART 1 U17VR1	MODEL U17 BASIC UNITS Excavator Basic Unit With: Rubber Tracks, 4-Post ROPS/OPG (Top Guard, Level I) Canopy, Dozer Blade, Dipper Arm, Counterweight	K23K687A68	3814	\$31,168.00
PART 2	BUCKETS			
	PIN-ON BUCKETS			
K7779A	9 inch 0.52 cu. ft. 2-Hole H. D. Bucket	K523A64	57	\$689.00
K7780A	12 inch 0.74 cu. ft. 2-Hole H. D. Bucket	K540A36	82	\$711.00
K7781	16 inch 0.95 cu. ft. 2-Hole H. D. Bucket	K596A60	94	\$785.00
K7785	18 inch 1.1 cu. ft. 2-Hole H. D. Bucket	K741A00	95	\$975.00
	QUICK ATTACH BUCKETS			
K7966A	Quick Coupler Includes two mounting pins, 1 locking pin, and hardware.	K813A96	20	\$1,071.00
K7967A	9 inch 0.78 cu. ft. Trenching Bucket (RETAIL ONLY)	K438A52	86	\$577.00
K7967	9 inch 0.78 cu. ft. Trenching Bucket (PLANNED ONLY)	K438A52	86	\$577.00
K7968A	12 inch 1.0 cu. ft. Trenching Bucket (RETAIL ONLY)	K566A20	92	\$745.00
K7968	12 inch 1.0 cu. ft. Trenching Bucket (PLANNED ONLY)	K566A20	92	\$745.00
K7969A	16 inch 1.3 cu. ft. Trenching Bucket (RETAIL ONLY)	K657A40	108	\$865.00
K7969	16 inch 1.3 cu. ft. Trenching Bucket (PLANNED ONLY)	K657A40	108	\$865.00
K7970A	18 inch 1.5 cu. ft. Trenching Bucket (RETAIL ONLY)	K701A48	115	\$923.00
K7970	18 inch 1.5 cu. ft. Trenching Bucket (PLANNED ONLY)	K701A48	115	\$923.00
K9607	Bucket Hangers Set of two ear blanks. Converts buckets to quick coupler style.	K194A56	12	\$256.00
PART 3	ATTACHMENTS			
K9919	Canopy Work Light Kit	K98A80	4	\$130.00
K9773	Travel Alarm Kit Emits an audible signal when traveling forward or reverse	K257A64	7	\$339.00
PART 4	ROPS / OPG (Top Guard, Level I)			
K9782	REPLACEMENT 4-POST ROPS / OPG (Top Guard, Level I) CANOPY	K1K105A04	20	\$1,454.00
K9943A	RETRACTABLE SEAT BELT OPTION (3") As required in some states for OSHA compliance.	K71A44	3	\$94.00
	Available from Parts			
	70000-01602 Screen Type Spark Arrestor			
	77700-08686 Strobe Light, Class 2, LED, flashing strobe w/ vacuum magnetic mounting			
	77700-08687 Rotating Beacon, Class 1, halogen (beacon light only) w/ magnetic mounting			
	77700-10379 Wire harness needed for installation of Strobe (77700-08686) and Beacon (77700-08687)			
PART 5	KubotaNOW Telematics Service (each order will require the DCU6700 modem and model specific wiring harness)			
DCU6700	AT&T Telematics Modem	K300A20	1	\$395.00
K6706	Excavator Telematics Wiring Harness	K98A80	2	\$130.00
	KubotaNOW Telematics Service includes a three (3) year term			

KUBOTA

This page intentionally left blank.



KX018-4

Hydraulic Excavator

FEATURES

Short Pitch Rubber Tracks
 ROPS/OPG (Top Guard, Level 1) 4 Post Canopy or Heated Cab
 Suspension Seat
 Variable Width Track Frame
 Kubota 4 Hydraulic Pump Design
 2 Gear; 2 Variable Displacement Pumps
 Hydraulic Joystick Controls with Wrist Rests
 Two Operating Pattern Selection System
 Standard Front Dozer Blade with Extensions
 360 Degree Full Rotation
 75° Left and 60° Right Boom Swing Angle
 7.4 GPM Auxiliary Hydraulics Port
 Five Second Quick Preheat System
 Key Switch Stop System
 Self Bleed Fuel System
 Auto-downshift Two Speed Travel System

BASIC UNIT

KX018-4R1, Rubber tracks, 4-Post ROPS/OPG (Top Guard, Level 1) Canopy, Dipper Arm, Counterweight
 KX018-4R2, Rubber tracks, 4-Post ROPS/OPG (Top Guard, Level 1) Heated Cab, Dipper Arm, Counterweight

DIMENSIONS AND OPERATING WEIGHT

KX018-4R1, Rubber tracks, 4-Post ROPS/OPG (Top Guard, Level 1) Canopy, Dipper Arm, Counterweight
 Overall Length 12' 2.1"
 Overall Width 3'3" / 4'3.2"
 Overall Height 7'7.7"
 Operating Weight* 3747 lbs.
 Ground Clearance 6.3"

*Includes operator's weight of 175 lbs.

ENGINE

D902 Kubota E-TVCS Tier 4 Final Diesel Engine
 3 Cylinder, 4 Cycle
 16.1 Gross HP (SAE J1995) @ 2300 RPM
 15.5 Net HP (SAE J1349) @ 2300 RPM

OPERATIONAL DIMENSIONS

Max Digging Depth	7' 9.7"
Max Digging Radius @ Ground Level	12' 8"
Max Vertical Digging Depth	6' 7.9"
Max Dumping Height	7' 9.7"

DOZER BLADE DIMENSIONS

Width	3'3" / 4'3.2"
Height	9.1"
Lift Above Ground	9.1"
Drop Below Ground	9.1"

PERFORMANCE

Digging Force @ Bucket (K7970)	3594 lbs.
Digging Force @ Dipper Arm	1852 lbs.
Travel Speed (Low/High)	1.4/2.6 mph
Climbing Ability	27% / 15°
Ground Pressure	3.7 psi
Lift Capacity	910 lbs.
<ul style="list-style-type: none"> • Over End • Blade Grounded • 2 Ft. Load Point Height • 8 Ft. Load Radius 	



K Series KX018-4

HOW TO SELECT A KX018-4 EXCAVATOR (Sample Order Information Page)

Below is an example of a complete KX018-4 order. To submit your order, please select the Basic Unit that you desire from Part 1. Then select the attachments from Parts 2 and 3 needed to complete your order.

STEP 1)	Select from Part 1 the Basic Unit that fits your needs. For example, choose a KX018-4 and get: Base Model, rubber tracks, 4-post ROPS/OPG (Top Guard, Level I) canopy, dozer blade, dipper arm and counterweight.
STEP 2)	Select from Parts 2 and 3 the attachments necessary to make the unit a complete machine. Choose buckets and quick couplers .

(SAMPLE ORDER)

ORDER CODE	DESCRIPTION	FACTORY NUMBER	APPROX. SHIP WT.	SUGGESTED LIST PRICE
STANDARD UNIT KX018-4R1 COMPLETE ORDER AND PRICE				
BASIC UNIT:				
KX018-4R1	EXCAVATOR WITH: Rubber Tracks 4-Post ROPS/OPG (Top Guard, Level I) Canopy Dozer Blade Dipper arm Counterweight	K25K529A92	3747	\$33,592.00
ATTACHMENTS:				
K7966A	Quick Coupler	K626A24	20	\$824.00
K7970	18" 1.5 cu. ft. Trenching Bucket	K701A48	115	\$923.00
				\$35,339.00

KUBOTA**K Series KX018-4**

ORDER CODE	DESCRIPTION	FACTORY NUMBER	APPROX SHIP WT.	SUGGESTED LIST PRICE
PART 1	MODEL KX018-4 BASIC UNITS			
KX018-4R1	Excavator Basic Unit With: Rubber Tracks, 4-Post ROPS/OPG (Top Guard, Level I) Canopy, Dozer Blade, Dipper Arm, Counterweight	K25K529A92	3747	\$33,592.00
KX018-4R2	Excavator Basic Unit With: Rubber Tracks, ROPS/OPG (Top Guard, Level I) Heated Cab, Dozer Blade, Dipper Arm, Counterweight	K28K471A88	3967	\$37,463.00
PART 2	BUCKETS			
	PIN-ON BUCKETS			
K7779A	9 inch 0.52 cu. ft. 2-Hole H. D. Bucket	K523A64	57	\$689.00
K7780A	12 inch 0.74 cu. ft. 2-Hole H. D. Bucket	K540A36	82	\$711.00
K7781	16 inch 0.95 cu. ft. 2-Hole H. D. Bucket	K596A60	94	\$785.00
K7785	18 inch 1.1 cu. ft. 2-Hole H. D. Bucket	K741A00	95	\$975.00
	QUICK ATTACH BUCKETS			
K7966A	Quick Coupler Includes two mounting pins, 1 locking pin, and hardware.	K813A96	20	\$1,071.00
K7967A	9 inch 0.78 cu. ft. Trenching Bucket (RETAIL ONLY)	K438A52	86	\$577.00
K7967	9 inch 0.78 cu. ft. Trenching Bucket (PLANNED ONLY)	K438A52	86	\$577.00
K7968A	12 inch 1.0 cu. ft. Trenching Bucket (RETAIL ONLY)	K566A20	92	\$745.00
K7968	12 inch 1.0 cu. ft. Trenching Bucket (PLANNED ONLY)	K566A20	92	\$745.00
K7969A	16 inch 1.3 cu. ft. Trenching Bucket (RETAIL ONLY)	K657A40	108	\$865.00
K7969	16 inch 1.3 cu. ft. Trenching Bucket (PLANNED ONLY)	K657A40	108	\$865.00
K7970A	18 inch 1.5 cu. ft. Trenching Bucket (RETAIL ONLY)	K701A48	115	\$923.00
K7970	18 inch 1.5 cu. ft. Trenching Bucket (PLANNED ONLY)	K701A48	115	\$923.00
K9607	Bucket Hangers Set of two ear blanks. Converts buckets to quick coupler style.	K194A56	12	\$256.00
PART 3	ATTACHMENTS			
K7420	Travel Pedal Kit	K199A88	7	\$263.00
K7421	Canopy Work Light Kit	K161A12	9	\$212.00
K7141	MIRROR KIT **Cab ONLY	K171A00	11	\$225.00
K7424	Travel Alarm Kit Emits an audible signal when traveling forward or reverse	K161A12	1	\$212.00
PART 4	ROPS / OPG (Top Guard, Level I)			
K7422	REPLACEMENT 4-POST ROPS / OPG (Top Guard,	K1K035A88	143	\$1,363.00
K7423	REPLACEMENT ROPS / OPG (Top Guard, Level I) CAB The K7423 cab is configured as a replacement for damaged factory mounted cabs. It does not include cabin electrical wiring, wiper motor, heater, or defroster. Refer to illustrated parts list to order these components.	K3K667A00	375	\$4,825.00
K7425	RETRACTABLE SEAT BELT OPTION (3") As required in some states for OSHA compliance.	K63A84	3	\$84.00

KUBOTA**K Series KX018-4**

PART 5	KubotaNOW Telematics Service (each order will require the DCU6700 modem and model specific wiring harness)			
DCU6700	AT&T Telematics Modem	K300A20	1	\$395.00
K6704	Excavator Telematics Wiring Harness	K98A80	2	\$130.00
	<i>KubotaNOW Telematics Service includes a three (3) year term</i>			

Available from Parts

70000-01602	Screen Type Spark Arrestor
77700-08686	Strobe Light, Class 2, LED, flashing strobe w/ vacuum magnetic mounting
77700-08687	Rotating Beacon, Class 1, halogen (beacon light only) w/ magnetic mounting
77700-10379	Wire harness needed for installation of Strobe (77700-08686) and Beacon (77700-08687) on <u>ROPS</u> machines ONLY
RD829-53870	Switch for Strobe (77700-08686) and Beacon (77700-08687) ROPS and CAB Versions



U25R1T4

Zero Tail Swing Hydraulic Excavator

FEATURES

Zero Tail Swing
 Half Pitch Rubber Tracks
 ROPS/OPG (Top Guard, Level 1) 4 Post Canopy
 Suspension Seat
 Kubota 3 Hydraulic Pump Design
 1 Gear; 2 Variable Displacement Pumps
 Hydraulic Joystick Controls with Wrist Rests
 Two Operating Pattern Selection System
 Standard Front Dozer Blade
 360 Degree Full Rotation
 75° Left and 55° Right Boom Swing Angle
 12.7 GPM Auxiliary Hydraulics Port
 Five Second Quick Preheat System
 Key Switch Stop System
 Self Bleed Fuel System
 Two Speed Travel
 Thumb Bracket and Relief Valves

BASIC UNIT

U25R1T4, Rubber tracks, 4-Post ROPS/OPG (Top Guard, Level 1) Canopy, Dipper Arm, Counterweight

DIMENSIONS AND OPERATING WEIGHT

U25R1T4, Rubber tracks, 4-Post ROPS/OPG (Top Guard, Level 1) Canopy, Dipper Arm, Counterweight

Overall Length	13' 7"
Overall Width	4' 11"
Overall Height	7' 11"
Operating Weight*	5,625 lbs.
Ground Clearance	11.2"

*Includes operator's weight of 175 lbs.

ENGINE

D1105 Kubota E-TVCS Tier 4 Final Diesel Engine
 3 Cylinder, 4 Cycle
 20.9 Gross HP (SAE J1995) @ 2400 RPM
 19.8 Net HP (SAE J1349) @ 2400 RPM

OPERATIONAL DIMENSIONS

Max Digging Depth	9' 3"
Max Digging Radius @ Ground Level	15' 4"
Max Vertical Digging Depth	6' 5"
Max Dumping Height	10' 6"

DOZER BLADE DIMENSIONS

Width	59"
Height	11.8"
Lift Above Ground	14.0"
Drop Below Ground	13.0"

PERFORMANCE

Digging Force @ Bucket (K7978)	5765 lbs.
Digging Force @ Dipper Arm	2745 lbs.
Travel Speed (Low/High)	1.6/2.9 mph
Climbing Ability	36% / 20°
Ground Pressure	3.7 psi
Lift Capacity	2050 lbs.

- Over Front
- Blade Grounded
- 2 Ft. Load Point Height
- 8 Ft. Load Radius



K Series U25ST4

HOW TO SELECT A U25ST4 EXCAVATOR (Sample Order Information Page)

Below are examples of a complete U25ST4 order. To submit your order, please select the Basic Unit Model that you desire from Part 1. Then select the attachments from Parts 2 and 3 needed to complete your order.

STEP 1)	Select from Part 1 the Basic Unit that fits your needs. For example, choose a U25R1T4 and get: Base Model, rubber tracks, 4-post ROPS/ OPG (Top Guard, Level I) canopy, dozer blade, dipper arm and counterweight.
STEP 2)	Select from Parts 2 and 3 the attachments necessary to make the unit a complete machine. Choose buckets and quick couplers, thumb or hydraulic breaker.

(SAMPLE ORDER)

ORDER CODE	DESCRIPTION	FACTORY NUMBER	APPROX. SHIP WT.	SUGGESTED LIST PRICE
STANDARD UNIT U25R1T4 COMPLETE ORDER AND PRICE				
BASIC UNIT:				
U25R1T4	Excavator Basic Unit	K28K329A00	5357	\$37,275.00
	With: Rubber Tracks			
	4-Post ROPS/OPG (Top Guard, Level I) Canopy			
	Dozer Blade			
	Dipper arm			
	Counterweight			
ATTACHMENTS:				
K7974	Quick Coupler	K649A80	39	\$855.00
K7978	18" 2.2 cu. ft. Trenching Bucket	K943A16	155	\$1,241.00
				\$39,371.00

KUBOTA**K Series U25ST4**

ORDER CODE	DESCRIPTION	FACTORY NUMBER	APPROX. SHIP WT.	SUGGESTED LIST PRICE
PART 1				
U25R1T4	Excavator Basic Unit With: Rubber Tracks, 4-Post ROPS/OPG (Top Guard, Level I) Canopy, Dozer Blade, Dipper Arm, Counterweight	K28K329A00	5357	\$37,275.00
PART 2	BUCKETS			
	PIN-ON BUCKETS (Order Attaching Pins from Parts)			
K7788	12 inch 1.44 cu. ft. 3-Hole H.D. BUCKET	K725A04	130	\$954.00
K7789	16 inch 2.12 cu. ft. 3-Hole H.D. BUCKET	K770A64	150	\$1,014.00
K7790	18 inch 2.40 cu. ft. 3-Hole H.D. BUCKET	K783A56	164	\$1,031.00
K7791	24 inch 3.40 cu. ft. 3-Hole H.D. BUCKET	K836A76	193	\$1,101.00
	QUICK ATTACH BUCKETS			
K7974	QUICK COUPLER Curl hole and power hole built into quick coupler. Includes two mounting pins, 1 locking pin, and hardware. Includes two mounting pins, 1 locking pin, and hardware.	K649A80	39	\$855.00
K9781	BUCKET HANGERS Set of 2 bucket ear blanks. Converts buckets to quick coupler style. Modification to match bucket contour required.	K228A76	24	\$301.00
K7975	9 inch 1.0 cu. ft. Trenching Bucket	K642A20	110	\$845.00
K7976	12 inch 1.4 cu. ft. Trenching Bucket	K743A28	135	\$978.00
K7977	16 inch 1.9 cu. ft. Trenching Bucket	K844A36	150	\$1,111.00
K7978	18 inch 2.2 cu. ft. Trenching Bucket The K7978 bucket has four teeth. The K7912 Thumb tines contact	K943A16	155	\$1,241.00
K7979	24 inch 3.0 cu. ft. Trenching Bucket	K1K043A48	180	\$1,373.00

KUBOTA

PART 3		ATTACHMENTS		
K7912	HYDRAULIC THUMB KIT	K1K716A08	122	\$2,258.00
	K7974 Quick Coupler required.			
K9919	CANOPY WORK LIGHT KIT	K98A80	20	\$130.00
K9962	STEEL CRAWLER KIT	K2K597A68	370	\$3,418.00
	Convert tracks from rubber to steel			
K9967	TRAVEL ALARM KIT	K234A08	7	\$308.00
	Emits an audible signal when traveling forward or reverse			
PART 4		ROPS / OPG (Top Guard, Level I)		
K7847	REPLACEMENT 4-POST ROPS / OPG (Top Guard, Level I) CANOPY	K1K054A88	154	\$1,388.00
K9943A	RETRACTABLE SEAT BELT OPTION (3") As required in some states for OSHA compliance.	K71A44	3	\$94.00
	Available from Parts			
	70000-73274 Block Heater Kit			
	70000-01602 Spark Arrestor (Screen Type)			
PART 5		KubotaNOW Telematics Service (each order will require the DCU6700 modem and model specific wiring harness)		
DCU6700	AT&T Telematics Modem	K300A20	1	\$395.00
K6704	Excavator Telematics Wiring Harness	K98A80	2	\$130.00
	KubotaNOW Telematics Service includes a three (3) year term			



U27-4

Min Tail Swing Hydraulic Excavator

FEATURES

Min Tail Swing
 Half Pitch Rubber Tracks
 ROPS/OPG (Top Guard, Level 1) 4 Post Canopy
 Or Cab w/ HEAT ONLY, Suspension Seat
 Kubota 3 Hydraulic Pump Design
 1 Gear; 2 Variable Displacement Pumps
 Hydraulic Joystick Controls with Wrist Rests
 Two Operating Pattern Selection System
 Standard Front Dozer Blade
 360 Degree Full Rotation
 75° Left and 55° Right Boom Swing Angle
 12.7 GPM Auxiliary Hydraulics Port
 Five Second Quick Preheat System
 Key Switch Stop System
 Self Bleed Fuel System
 Two Speed Travel with Auto Downshift
 Thumb Bracket and Relief Valves

BASIC UNIT

U27-4R1, Rubber tracks, 4-Post ROPS/OPG
 (Top Guard, Level 1) Canopy, Dipper Arm,
 Counterweight
 U27-4R2, Rubber tracks, 4-Post ROPS/OPG
 (Top Guard, Level 1) Cab, Dipper Arm,
 Counterweight

DIMENSIONS AND OPERATING WEIGHT

U27-4, Rubber tracks, 4-Post ROPS/OPG (Top
 Guard, Level 1) Canopy, Dipper Arm,
 Counterweight

Overall Length	13' 6"
Overall Width	4' 11"
Overall Height	7' 10"
Operating Weight*	5,688lbs.
Ground Clearance	12.1"

*Includes operator's weight of 175 lbs.

ENGINE

D1105-BH Kubota Tier 4 Final Diesel Engine
 3 Cylinder, 4 Cycle
 20.8 Gross HP (SAE J1995) @ 2400 RPM
 20.0 Net HP (SAE J1349) @ 2400 RPM

OPERATIONAL DIMENSIONS

Max Digging Depth	9' 5"
Max Digging Radius @ Ground Level	15' 4"
Max Vertical Digging Depth	7' 8"
Max Dumping Height	10'

DOZER BLADE DIMENSIONS

Width	59"
Height	11.8"
Lift Above Ground	14.0"
Drop Below Ground	13.0"

PERFORMANCE

Digging Force @ Bucket	7014 lbs.
Digging Force @ Dipper Arm	2777 lbs.
Travel Speed (Low/High)	1.6/2.7 mph
Climbing Ability	36% / 20°
Ground Pressure	3.3 psi
Lift Capacity	2050 lbs.

- Over Front
- Blade Grounded
- 2 Ft. Load Point Height
- 8 Ft. Load Radius



K Series U27-4

HOW TO SELECT A U27-4 EXCAVATOR (Sample Order Information Page)

Below are examples of a complete U27-4 order. To submit your order, please select the Basic Unit Model that you desire from Part 1. Then select the attachments from Parts 2 and 3 needed to complete your order.

Step 1
 Select from Part 1 the Basic Unit that fits your needs. For Example, choose a U27-4R1 and get: Base Model, Rubber Tracks, 4-Post ROPS/OPG (Top Guard, Level 1) canopy, dozer blade, dipper arm, and counterweight.

Step 2
 Select from Part 2 and Part 3 the attachments necessary to make the unit a complete machine. Choose buckets, quick couplers, and thumb if applicable.

(SAMPLE ORDER)

ORDER CODE	DESCRIPTION	FACTORY NUMBER	APPROX. SHIP WT.	SUGGESTED LIST PRICE
STANDARD UNIT U27-4 COMPLETE ORDER AND PRICE				
BASIC UNIT:				
U27-4R1	Excavator Basic Unit	K29K531A32	5688	\$38,857.00
	With: Rubber Tracks 4-Post ROPS/OPG (Top Guard, Level I) Canopy Dozer Blade Dipper arm Counterweight			
ATTACHMENTS:				
K7130	Quick Coupler	K760A00	39	\$1,000.00
K7977	18" 2.2 cu. ft. Trenching Bucket	K844A36	150	\$1,111.00
				\$40,968.00

KUBOTA**K Series U27-4**

ORDER CODE	DESCRIPTION	FACTORY NUMBER	APPROX. SHIP WT.	SUGGESTED LIST PRICE
PART 1	MODEL U27-4 BASIC UNITS			
U27-4R1	Excavator Basic Unit With: Rubber Tracks, 4-Post ROPS/OPG (Top Guard, Level I) Canopy, Dozer Blade, Dipper Arm, Counterweight	K29K531A32	5688	\$38,857.00
U27-4R2	Excavator Basic Unit With: Rubber Tracks, 4-Post ROPS/OPG (Top Guard, Level I) Cab, HEAT ONLY , Dozer Blade, Dipper Arm, Counterweight	K33K148A16	5908	\$43,616.00
PART 2	BUCKETS			
	PIN-ON BUCKETS (Order Attaching Pins from Parts)			
K7150	9 inch 3-Hole H.D. BUCKET	K573A04	110	\$ 754.00
K7151	12 inch 1.44 cu. ft. 3-Hole H.D. BUCKET	K668A04	130	\$ 879.00
K7152	16 inch 2.12 cu. ft. 3-Hole H.D. BUCKET	K757A72	150	\$ 997.00
K7153	18 inch 2.40 cu. ft. 3-Hole H.D. BUCKET	K802A56	164	\$ 1,056.00
K7154	24 inch 3.40 cu. ft. 3-Hole H.D. BUCKET	K863A36	193	\$ 1,136.00
	QUICK ATTACH BUCKETS			
K7130	QUICK COUPLER - (Welded Steel Coupler) Curl hole and power hole built into quick coupler. Includes two mounting pins, 1 locking pin, and hardware.	K760A00	39	\$1,000.00
K7130A	QUICK COUPLER - (New Cast Coupler) Curl hole and power hole built into quick coupler. Includes two mounting pins, 1 locking pin, and hardware.	K876A28	40	\$1,153.00
K9781	BUCKET HANGERS Set of 2 bucket ear blanks. Converts buckets to quick coupler style. Modification to match bucket contour required.	K228A76	15	\$301.00
K7975	9 inch 1.0 cu. ft. Trenching Bucket	K703A00	110	\$925.00
K7976	12 inch 1.4 cu. ft. Trenching Bucket	K743A28	135	\$978.00
K7977	16 inch 1.9 cu. ft. Trenching Bucket	K844A36	150	\$1,111.00
K7978	18 inch 2.2 cu. ft. Trenching Bucket	K943A16	155	\$1,241.00
	The K7978 bucket has four teeth. The K7131 Thumb tines contact the end of the teeth and do not mesh between the teeth.			
K7979	24 inch 3.0 cu. ft. Trenching Bucket	K1K043A48	180	\$1,373.00
PART 3	ATTACHMENTS			
K7131	HYDRAULIC THUMB KIT K7130 Quick Coupler required.	K1K567A12	200	\$2,062.00
K7420	Travel Pedal Kit (for foot travel control)	K199A88	7	\$263.00
K7425	RETRACTABLE SEAT BELT OPTION (3") As required in some states for OSHA compliance.	K63A84	3	\$84.00
K7140	CANOPY WORK LIGHT KIT **Open Rops Only	K161A12	20	\$212.00
K7141	MIRROR KIT **Cab ONLY	K171A00	22	\$225.00
K7144	TRAVEL ALARM KIT Emits an audible signal when traveling forward or reverse	K161A12	2	\$212.00
K7145	SPARK ARRESTOR MUFFLER KIT Optional kit for use in close proximity with grass, brush, timber and similar material with potential for ignition. This kit enables the use of the 70000-01602 screen type spark arrester. The 70000-01602 screen type spark arrester CANNOT be used with the stock muffler.	K294A88		\$388.00
PART 4	ROPS / OPG (Top Guard, Level I)			
K7142	REPLACEMENT 4-POST ROPS / OPG (Top Guard, Level I) CANOPY	K1K078A44	154	\$1,419.00
K7143	REPLACEMENT 4-POST ROPS / OPG (Top Guard, Level I) Cab, HEAT ONLY	K4K271A96	558	\$5,621.00
K7425	RETRACTABLE SEAT BELT OPTION (3")	K63A84	3	\$84.00

KUBOTA

K Series U27-4

ORDER CODE	DESCRIPTION	FACTORY NUMBER	APPROX SHIP WT.	SUGGESTED LIST PRICE
------------	-------------	----------------	-----------------	----------------------

Available from Parts

- 70000-01602 Screen Spark Arrestor (requires K7145)
- 77700-08686 Strobe Light, Class 2, LED, flashing strobe w/ vacuum magnetic mounting
- 77700-08687 Rotating Beacon, Class 1, halogen (beacon light only) w/ magnetic mounting
- 77700-10379 Wire harness needed for installation of Strobe (77700-08686) and Beacon (77700-08687) on ROPS
- RD829-53870 Switch for Strobe (77700-08686) and Beacon (77700-08687) ROPS machines ONLY

PART 5

KubotaNOW Telematics Service (each order will require the DCU6700 modem and model specific wiring harness)

DCU6700	AT&T Telematics Modem	K300A20	1	\$395.00
K6704	Excavator Telematics Wiring Harness	K98A80	2	\$130.00

KubotaNOW Telematics Service includes a three (3) year term



KX71-3S4
Hydraulic Excavator

FEATURES

Half Pitched Rubber Tracks or Steel Tracks
 ROPS/OPG (Top Guard, Level 1) 4 Post Canopy
 or Heated Cab
 Suspension Seat
 Kubota 3 Hydraulic Pump Design
 1 Gear; 2 Variable Displacement Pumps
 Hydraulic Joystick Controls with Wrist Rests
 Two Operating Pattern Selection System
 Standard Front Dozer Blade
 360 Degree Full Rotation
 80° Left and 60° Right Boom Swing Angle
 13.1 GPM Adjustable Auxiliary Hydraulics Port
 Five Second Quick Preheat System
 Key Switch Stop System
 Self Bleed Fuel System
 Two Speed Travel
 Thumb Bracket and Relief Valves
 Swivel Negative Brake

KX71-3S4R1, Rubber Tracks, 4-Post ROPS/OPG
 (Top Guard, Level 1) Canopy
 KX71-3S4R2, Rubber Tracks, ROPS/OPG (Top
 Guard, Level 1) Heated Cab
~~KX71-3S4S1, Steel Tracks, 4-Post ROPS/OPG
 (Top Guard, Level 1) Canopy~~
~~KX71-3S4S2, Steel Tracks, ROPS/OPG (Top
 Guard, Level 1) Heated Cab~~

ENGINE

D1505 Kubota E-TVCS Tier 4 Final Diesel Engine
 4 Cylinder, 4 Cycle
 24.4 Gross HP (SAE J1995) @ 2300 RPM
 23.1 Net HP (SAE J1349) @ 2300 RPM

OPERATIONAL DIMENSIONS

Max Digging Depth	9' 9"
Max Digging Radius @ Ground Level	16' 0"
Max Vertical Digging Depth	6' 5"
Max Dumping Height	10' 5"

DOZER BLADE DIMENSIONS

Width	59"
Height	12.0"
Lift Above Ground	13.0"
Drop Below Ground	12.0"
Digging Force @ Bucket (K7978)	6350 lbs.
Digging Force @ Dipper Arm	3285 lbs.
Travel Speed (Low/High)	1.8/2.9 mph
Climbing Ability	36% / 20°
Ground Pressure (Rubber/Canopy)	3.9 psi
Lift Capacity	1,760 lbs.

- Over Front
- Blade Grounded
- 2 Ft. Load Point Height
- 8 Ft. Load Radius

DIMENSIONS AND OPERATING WEIGHT

KX71-3S4R1, Rubber Tracks, 4-Post ROPS/OPG
 (Top Guard, Level 1) Canopy

Overall Length	14' 11"
Overall Width	4' 11"
Overall Height	8' 0"
Operating Weight*	6,305 lbs.
Ground Clearance	11.0"

KX71-3S4R2, Rubber Tracks, ROPS/OPG (Top
 Guard, Level 1) Heated Cab

Overall Length	14' 11"
Overall Width	4' 11"
Overall Height	7' 11"
Operating Weight*	6,550 lbs.
Ground Clearance	11.0"

*Includes operator's weight of 175 lbs.



K Series KX71-3S4

HOW TO SELECT A KX71-3S4 EXCAVATOR (Sample Order Information Page)

Below are examples of a complete KX71-3S4 order. To submit your order, please select the Basic Unit Model that you desire from Part 1. Then select the attachments from Parts 2 and 3 needed to complete your order.

STEP 1)	Select from Part 1 the Basic Unit that fits your needs. For example, choose a KX71-3S4 and get: Base Model, rubber tracks, 4-post ROPS/OPG (Top Guard, Level I) canopy, dozer blade, dipper arm and counterweight.
STEP 2)	Select from Parts 2 and 3 the attachments necessary to make the unit a complete machine. Choose buckets and quick couplers, thumb

(SAMPLE ORDER)

ORDER CODE	DESCRIPTION	FACTORY NUMBER	APPROX. SHIP WT.	SUGGESTED LIST PRICE
STANDARD UNIT KX71-3S4R1 COMPLETE ORDER AND PRICE				
BASIC UNIT:				
KX71-3S4R1	Excavator Basic Unit	K32K058A32	6550	\$42,182.00
With:	Rubber Tracks 4-Post ROPS/OPG (Top Guard, Level I) Canopy Dozer Blade Dipper arm Counterweight			
ATTACHMENTS:				
K7870A	Quick Coupler	K974A32	75	\$1,282.00
K7875A	24" 4.25 cu. ft. Trenching Bucket	K1K346A72	257	<u>\$1,772.00</u>
				\$45,236.00
STANDARD UNIT KX71-3S4R2 COMPLETE ORDER AND PRICE				
BASIC UNIT:				
KX71-3S4R2	Excavator Basic Unit	K35K623A48	6550	\$46,873.00
With:	Rubber Tracks ROPS/OPG (Top Guard, Level I) Cab Dozer Blade Dipper arm Counterweight			
ATTACHMENTS:				
K7796	24" 3.73 cu. ft. 3-Hole H. D. Bucket	K987A24	265	<u>\$1,299.00</u>
				\$48,172.00

KUBOTA**K Series KX71-3S4**

ORDER CODE	DESCRIPTION	FACTORY NUMBER	APPROX SHIP WT.	SUGGESTED LIST PRICE
PART 1	MODEL KX71-3S4 BASIC UNITS			
KX71-3S4R1	Excavator Basic Unit	K32K058A32	6550	\$42,182.00
With:	Rubber Tracks, 4-Post ROPS/OPG (Top Guard, Level I) Canopy, Dozer Blade, Dipper Arm, Counterweight			
KX71-3S4R2	Excavator Basic Unit	K35K623A48	6550	\$46,873.00
With:	Rubber Tracks, ROPS/OPG (Top Guard, Level I) Cab, Dozer Blade, Dipper Arm, Counterweight			
KX71-3S4S1	Excavator Basic Unit (Discontinued Model)	K32K058A32	6746	\$42,182.00
With:	Steel Tracks, 4-Post ROPS/OPG (Top Guard, Level I) Canopy, Dozer Blade, Dipper Arm, Counterweight			
KX71-3S4S2	Excavator Basic Unit (Discontinued Model)	K35K623A48	7033	\$46,873.00
With:	Steel Tracks, ROPS/OPG (Top Guard, Level I) Cab, Dozer Blade, Dipper Arm, Counterweight			
PART 2	BUCKETS			
	PIN-ON BUCKETS (Order attaching pins from Parts)			
K7792A	12 inch 2.60 cu. ft. 3-Hole Bucket	K797A24	194	\$1,049.00
K7793	16 inch 2.80 cu. ft. 3-Hole Bucket	K856A52	220	\$1,127.00
K7794	18 inch 3.20 cu. ft. 3-Hole Bucket	K895A28	229	\$1,178.00
K7796	24 inch 4.50 cu. ft. 3-Hole Bucket	K987A24	265	\$1,299.00
	QUICK ATTACH BUCKETS			
K7870A	QUICK COUPLER Curl hole and power hole built into quick coupler. Includes two mounting pins, 1 locking pin and hardware.	K974A32	75	\$1,282.00
K9807	BUCKET HANGERS Set of 2 bucket ear blanks. Converts buckets to quick coupler style. Modification to match bucket contour required.	K307A04	49	\$404.00
K7872A	12 inch 2.13 cu. ft. Trenching Bucket	K995A60	160	\$1,310.00
K7873A	16 inch 2.83 cu. ft. Trenching Bucket	K1K043A48	185	\$1,373.00
K7874A	18 inch 3.19 cu. ft. Trenching Bucket The K7874A bucket has four teeth. The K7902 Thumb tines contact the end of the teeth and do not mesh between the teeth.	K1K124A04	190	\$1,479.00
K7874AC	18 inch 3.19 cu. ft. Trenching Bucket This is the same bucket as K7874A WITHOUT shanks for teeth	K1K124A04	190	\$1,479.00
K7875A	24 inch 4.25 cu. ft. Trenching Bucket	K1K346A72	257	\$1,772.00
K7875AC	24 inch 4.25 cu. ft. Trenching Bucket This is the same bucket as K7875A WITHOUT shanks for teeth	K1K346A72	216	\$1,772.00
K7473	36 inch 3.0 cu. ft. TILT GRADING BUCKET Includes hoses and fittings. Tilts 45° each direction.	K4K572A16	1	\$6,016.00
K7474A	BOLT ON CUTTING EDGE For K7473 36" grading bucket	K161A12	36	\$212.00
K7458	36 inch Grading Blade	K1K246A40	270	\$1,640.00
K7458A	36 inch Grading Blade	K1K434A88	270	\$1,888.00
K7546	36" Cemetery Bucket	K1K463A00	265	\$1,925.00

KUBOTA**K Series KX71-3S4**

ORDER CODE	DESCRIPTION	FACTORY NUMBER	APPROX. SHIP WT.	SUGGESTED LIST PRICE
PART 3	ATTACHMENTS			
K7902	HYDRAULIC THUMB KIT K7870 Quick Coupler required.	K2K342A32	190	\$3,082.00
K7461	24" EXCAVATING RAKE, QUICK ATTACH	K1K720A64	300	\$2,264.00
K9919	CANOPY WORK LIGHT KIT	K98A80	4	\$130.00
K9736	STEEL CRAWLER KIT Convert tracks from rubber to steel	K2K269A36	787	\$2,986.00
K9967	TRAVEL ALARM KIT Emits an audible signal when traveling forward or reverse	K234A08	2	\$308.00
PART 4	ROPS / OPG (Top Guard, Level I)			
K7890	REPLACEMENT 4-POST ROPS/OPG (Top Guard, Level I) CANOPY	K915A80	180	\$1,205.00
K7899	REPLACEMENT ROPS / OPG (Top Guard, Level I) CAB The K7899 cab is configured as a replacement for damaged factory mounted cabs. It does not include cabin electrical wiring, wiper motor, heater, or defroster. Refer to illustrated parts list to order these components.	K4K451A32	400	\$5,857.00
K9943A	RETRACTABLE SEAT BELT OPTION (3") As required in some states for OSHA compliance.	K71A44	3	\$94.00
	Available from parts 70000-73274 Block Heater Kit			
PART 5	KubotaNOW Telematics Service (each order will require the DCU6700 modem and model specific wiring harness)			
DCU6700	AT&T Telematics Modem	K300A20	1	\$395.00
K6704	Excavator Telematics Wiring Harness	K98A80	2	\$130.00
	KubotaNOW Telematics Service includes a three (3) year term			



KX033-4
Hydraulic Excavator

FEATURES

Half Pitched Rubber Tracks or (Steel Tracks) ***
 ROPS/OPG (Top Guard, Level 1) 4 Post Canopy or
 Heated Cab with A/C
 Suspension Seat
 Kubota 3 Hydraulic Pump Design
 1 Gear; 2 Variable Displacement Pumps
 Hydraulic Joystick Controls with Wrist Rests
 Hydraulic Accumulator
 Two Operating Pattern Selection System
 Standard Front Dozer Blade
 360 Degree Full Rotation
 70° Left and 48° Right Boom Swing Angle
 15.8 GPM Adjustable Auxiliary Hydraulics Port
 With Diverter Valve
 Five Second Quick Preheat System
 Key Switch Stop System
 Self Bleed Fuel System
 Two Speed Travel
 Auto Idle
 Thumb Bracket and Relief Valves
 Swivel Negative Brake
 Travel Negative Brake
 Third Line Return (Hydraulic)

BASIC UNIT

KX033-4R1 Rubber Tracks, 4-Post ROPS/OPG
 (Top Guard, Level 1) Canopy
 KX033-4R1A, Rubber Tracks, ROPS/OPG (Top
 Guard, Level 1) Canopy, Angle Dozer Blade
~~KX033-4R1E***, Rubber Tracks, ROPS/OPG,
 Canopy, Extendable Dipper Arm~~
 KX033-4R1AE***, Rubber Tracks, ROPS/OPG
 (Top Guard, Level 1) Canopy, Angle Dozer Blade,
 Extendable Dipper Arm
 KX033-4R3, Rubber Tracks, ROPS/OPG (Top
 Guard, Level 1) Heated Cab with A/C
 KX033-4R3A, Rubber Tracks, ROPS/OPG (Top
 Guard, Level 1) Heated Cab with A/C, Angle
 Blade
~~KX033-4R3E***, Rubber Tracks, ROPS/OPG (Top
 Guard, Level 1) Heated Cab with A/C,
 Extendable Dipper Arm~~
 KX033-4R3AE***, Rubber Tracks, ROPS/OPG
 (Top Guard, Level 1) Heated Cab with A/C, Angle
 Dozer blade, Extendable Dipper Arm

DIMENSIONS AND OPERATING WEIGHT

KX033-4R1, Rubber Tracks, 4-Post ROPS/OPG (Top Guard, Level 1) Canopy	
Overall Length	15' 6"
Overall Width	5' 1"
Overall Height	8' 1"
Operating Weight*	7420 lbs.
Ground Clearance	11.4"
KX033-4R3, Rubber Tracks, ROPS/OPG (Top Guard, Level 1) Heated Cab with A/C	
Overall Length	15' 6"
Overall Width	5' 1"
Overall Height	8' 1"
Operating Weight*	7,742 lbs.
Ground Clearance	11.4"

*Includes operator's weight of 175 lbs.

ENGINE

Kubota D1703M-DI-E4
 3 Cylinder, 4 Cycle
 24.8 Gross HP (SAE J1995) @ 2200 RPM
 23.2 Net HP (SAE J1349) @ 2200 RPM

OPERATIONAL DIMENSIONS

Max Digging Depth	10' 6"
Max Digging Radius @ Ground Level	16' 10"
Max Vertical Digging Depth	7' 4"
Max Dumping Height	11' 7"

DOZER BLADE DIMENSIONS

Width	61"
Height	13.5"/ 15.2"Angle
Lift Above Ground	14.4"/ 15.9"Angle
Drop Below Ground	14.8"/ 16.1"Angle

PERFORMANCE

Digging Force @ Bucket	8138 lbs
Digging Force @ Dipper Arm	3867 lbs
Travel Speed (Low/High)	1.9/2.9 mph
Traction Force (Low)	6091 lbs
Lift Capacity	3230 lbs
<ul style="list-style-type: none"> • Over Front • Blade Grounded • 2 Ft. Load Point Height • 8 Ft. Load Radius 	



K Series KX033-4

HOW TO SELECT A KX033-4 EXCAVATOR (Sample Order Information Page)

Below are examples of a complete KX033-4 order. To submit your order, please select the Basic Unit Model that you desire from Part 1. Then select the attachments from Parts 2 and 3 needed to complete your order.

STEP 1)	Select from Part 1 the Basic Unit that fits your needs. For example, choose a KX033-4 and get: Base Model, rubber tracks, 4-post ROPS/OPG (Top Guard, Level I) canopy, angle dozer blade, dipper arm and counterweight.
STEP 2)	Select from Parts 2 and 3 the attachments necessary to make the unit a complete machine. Choose buckets and quick couplers, thumb

(SAMPLE ORDER)

ORDER CODE	DESCRIPTION	FACTORY NUMBER	APPROX. SHIP WT.	SUGGESTED LIST PRICE
STANDARD UNIT KX033-4R1A COMPLETE ORDER AND PRICE				
BASIC UNIT:				
KX033-4R1A	Excavator Basic Unit	K39K060A96	7,140	\$51,396.00
With:	Rubber Tracks 4-Post ROPS/OPG (Top Guard, Level I) Canopy Angle Dozer Blade Dipper Arm Counterweight			
ATTACHMENTS:				
K7796	24" 3.73 cu. ft. 3-Hole H. D. Bucket	K987A24	265	\$1,299.00
				<u>\$52,695.00</u>
STANDARD UNIT KX033-4R3 COMPLETE ORDER AND PRICE				
BASIC UNIT:				
KX033-4R3	Excavator Basic Unit	K41K872A96	7,198	\$55,096.00
With:	Rubber Tracks ROPS/OPG (Top Guard, Level I) Cab Dozer Blade Dipper Arm Counterweight			
ATTACHMENTS:				
K7870A	Quick Coupler	K974A32	75	\$1,282.00
K7875A	24" 4.25 cu. ft. Trenching Bucket	K1K346A72	257	\$1,772.00
				<u>\$58,150.00</u>

KUBOTA**K Series KX033-4**

ORDER CODE	DESCRIPTION	FACTORY NUMBER	APPROX. SHIP WT.	SUGGESTED LIST PRICE
PART 1	MODEL KX033-4			
KX033-4R1	Excavator Basic Unit With: Rubber Tracks, 4-Post ROPS/OPG (Top Guard, Level I) Canopy, Dozer Blade, Dipper Arm, Counterweight	K36K758A92	6,978	\$48,367.00
KX033-4R1A	Excavator Basic Unit With: Rubber Tracks, 4-Post ROPS/OPG (Top Guard, Level I) Canopy, Angle Dozer Blade, Dipper Arm, Counterweight	K39K060A96	7,198	\$51,396.00
KX033-4R3	Excavator Basic Unit With: Rubber Tracks, ROPS/OPG (Top Guard, Level I) Cab, Heat and A/C, Dozer Blade, Dipper Arm, Counterweight	K41K872A96	7,198	\$55,096.00
KX033-4R3A	Excavator Basic Unit With: Rubber Tracks, ROPS/OPG (Top Guard, Level I) Cab, Heat and A/C, Angle Dozer Blade, Dipper Arm, Counterweight	K44K168A16	7,199	\$58,116.00
KX033-4R1E	Excavator Basic Unit (Discontinued Model) With: Rubber Tracks, 4-Post ROPS/OPG (Top Guard, Level I) Canopy, Dozer Blade, Extendable Dipper Arm, Counterweight	K39K429A56	6,978	\$51,881.00
KX033-4R1AE	Excavator Basic Unit With: Rubber Tracks, 4-Post ROPS/OPG (Top Guard, Level I) Canopy, Angle Dozer Blade, Extendable Dipper Arm, Counterweight	K41K731A41	6,978	\$54,910.00
KX033-4R3E	Excavator Basic Unit (Discontinued Model) With: Rubber Tracks, ROPS/OPG (Top Guard, Level I) Cab, Heat and A/C, Dozer Blade, Extendable Dipper Arm, Counterweight	K44K542A84	7,198	\$58,609.00
KX033-4R3AE	Excavator Basic Unit With: Rubber Tracks, ROPS/OPG (Top Guard, Level I) Cab, Heat and A/C, Angle Dozer Blade, Extendable Dipper Arm, Counterweight	K46K839A56	7,198	\$61,631.00
PART 2	BUCKETS			
	PIN-ON BUCKETS (Order Attaching Pins from Parts)			
K7792A	12 inch 2.60 cu. ft. 3-Hole Bucket	K797A24	194	\$1,049.00
K7793	16 inch 2.80 cu. ft. 3-Hole Bucket	K856A52	220	\$1,127.00
K7794	18 inch 3.20 cu. ft. 3-Hole Bucket	K895A28	229	\$1,178.00
K7796	24 inch 4.50 cu. ft. 3-Hole Bucket	K987A24	265	\$1,299.00
	QUICK ATTACH BUCKETS			
K7849	Hydraulic Quick Coupler	K1K317A00	87	\$1,733.00
K7415	Hydraulic Quick Coupler Completion Kit Contains all components needed to complete installation of K7849	K684A00	33	\$900.00
K7870A	QUICK COUPLER Curl hole and power hole built into quick coupler. Includes two mounting pins, 1 locking pin and hardware.	K974A32	75	\$1,282.00
K9807	BUCKET HANGERS Set of 2 bucket ear blanks. Converts buckets to quick coupler style. Modification to match bucket contour required.	K307A04	49	\$404.00
K7872A	12 inch 2.13 cu. ft. Trenching	K995A60	160	\$1,310.00
K7873	16 inch 2.83 cu. ft. Trenching	K790A40	185	\$1,040.00
K7874A	18 inch 3.19 cu. ft. Trenching The K7874 bucket has four teeth. The K7910 Thumb tines contact the end of the teeth and do not mesh between the teeth.	K1K124A04	190	\$1,479.00
K7874C	18 inch 3.19 cu. ft. Trenching Bucket This is the same bucket as K7874A WITHOUT shanks for teeth	K1K124A04	190	\$1,479.00

KUBOTA**K Series KX033-4**

ORDER CODE	DESCRIPTION	FACTORY NUMBER	APPROX. SHIP WT.	SUGGESTED LIST PRICE
K7875A	24 inch 4.25 cu. ft. Trenching Bucket	K1K346A72	257	\$1,772.00
K7875C	24 inch 4.25 cu. ft. Trenching Bucket This is the same bucket as K7875A WITHOUT shanks for teeth	K1K346A72	#N/A	\$1,772.00
		K4K572A16		
K7473A	36 inch 3.0 cu. ft. TILT GRADING BUCKET (RETAIL ONLY) Includes hoses and fittings. Tilts 45° each direction *Not approved for use with extendable arm*		305	\$6,016.00
		K4K572A16		
K7473	36" 3.0 cu.ft. TILT GRADING BUCKET (PLANNED ONLY) Includes hoses and fittings. Tilts 45 deg each direction *Not approved for use with extendable arm.		305	\$6,016.00
K7474A	BOLT ON CUTTING EDGE For K7473A 36" grading bucket	K161A12	36	\$212.00
K7458	36" Grading Blade	K1K246A40	270	\$1,640.00
K7546	36" Cemetery Bucket	K1K634A00	265	\$2,150.00
PART 3	ATTACHMENTS			
K7910A	① HYDRAULIC THUMB KIT K7870A Quick Coupler required	K2K756A52	195	\$3,627.00
K7461	① 24 INCH EXCAVATING RAKE, QUICK ATTACH	K1K720A64	300	\$2,264.00
K7940	CANOPY WORK LIGHT KIT	K117A80	6	\$155.00
K9784	TRAVEL ALARM KIT Emits an audible signal when traveling forward or reverse	K222A68	1	\$293.00
K7984	SPARK ARRESTOR MUFFLER KIT Optional kit for use in close proximity with grass, brush, timber and similar cellulose material with potential for ignition. Requires Heat Insulation Kit. 77700-06495 ① Not approved for use with extendible arm.	K380A76	10	\$501.00
PART 4	ROPS / OPG (Top Guard, Level I)			
K9786	REPLACEMENT 4-POST ROPS / OPG (Top Guard, Level I)	K1K235A76	240	\$1,626.00
K9787	REPLACEMENT ROPS / OPG (Top Guard, Level I) CAB The cab is configured as a replacement for damaged factory	K5K261A48	558	\$6,923.00
K7479	Cab Mirror Kit Includes two side mirrors, one for each side, one rear mirror, and attaching hardware	K222A68	11	\$293.00
K9943A	RETRACTABLE SEAT BELT OPTION (3") As required in some states for OSHA compliance.	K71A44	3	\$94.00
	Available from Parts 70000-00297 Block Heater Kit 77700-04753A Radio Kit AM/FM/ WB/ AUX (for Cab models Only) 77700-04754A Radio Kit AM/FM/ WB/ AUX/ USB/ iPod/ SAT (for Cab models ONLY) 77700-06495 Heat Insulation Kit for Spark Arrestor Muffler 77700-08686 Strobe Light, Class 2, LED, flashing strobe w/ vacuum magnetic mounting 77700-08687 Rotating Beacon, Class 1, halogen (beacon light only) w/ magnetic mounting 77700-10379 Wire harness needed for installation of Strobe (77700-08686) and Beacon (77700-08687) on ROPS RD829-53870 Switch for Strobe (77700-08686) and Beacon (77700-08687) ROPS and CAB Versions			
PART 5	KubotaNOW Telematics Service (each order will require the DCU6700 modem and model specific wiring harness)			
DCU6700	AT&T Telematics Modem	K300A20	1	\$395.00
K6704	Excavator Telematics Wiring Harness	K98A80	2	\$130.00
	KubotaNOW Telematics Service includes a three (3) year term			

KUBOTA



U35-4

Tight Tail Swing Hydraulic Excavator

FEATURES

Tight Tail Swing
Half Pitched Rubber Tracks or Steel Tracks
ROPS/OPG (Top Guard, Level 1) 4 Post Canopy or Air Conditioned & Heated Cab
Suspension Seat
Kubota 3 Hydraulic Pump Design
1 Gear; 2 Variable Displacement Pumps
All Controls Hydraulic Pilot Controls
Hydraulic Accumulator
Two Operating Pattern Selection System
Digital Control Panel
Attachment Flow Presets, Service Alerts
Standard Front Dozer Blade with Float
Optional Float Angle Blade w/ BOCE
360 Degree Full Rotation
71° Left and 45° Right Boom Swing Angle
15.8 GPM Adjustable Auxiliary Hydraulics Port
Auxiliary Hydraulic Diverter Valve
Five Second Quick Preheat System
Key Switch Stop System
Self Bleed Fuel System
Auto-downshift Two Speed Travel System
Thumb Bracket and Relief Valves
Swivel Negative Brake
Travel Negative Brake
Third Line Return (Hydraulic)

BASIC UNIT

U35-4R1, Rubber Tracks, 4-Post ROPS/OPG (Top Guard, Level 1) Canopy
U35-4R1A, Rubber Tracks, 4-Post ROPS/OPG (Top Guard, Level 1) Canopy, Angle Dozer Blade
U35-4R3, Rubber Tracks, ROPS/OPG (Top Guard, Level 1) Air Conditioned/Heated Cab
U35-4R3A, Rubber Tracks, ROPS/OPG (Top Guard, Level 1) Air Conditioning/Heated Cab, Angle Dozer Blade

DIMENSIONS AND OPERATING WEIGHT

U35-4R1, Rubber Tracks, 4-Post ROPS/OPG (Top Guard, Level 1) Canopy	
Overall Length	15' 7"
Overall Width	5' 7"
Overall Height	8' 1.2"
Operating Weight*	8,129 lbs.
Ground Clearance	11.34"
U35-4R3, Rubber Tracks, ROPS/OPG (Top Guard, Level 1) Air Conditioned/Heated Cab	
Overall Length	15' 7"
Overall Width	5' 7"
Overall Height	8' 1.2"
Operating Weight*	8,451 lbs.
Ground Clearance	11.34"

*Includes operator's weight of 175 lbs.

ENGINE

D1703-M Kubota E-TVCS Tier 4 Final Diesel Engine
3 Cylinder, 4 Cycle
24.8 Gross HP (SAE J1995) @ 2200 RPM
23.9 Net HP (SAE J1349) @ 2200 RPM

OPERATIONAL DIMENSIONS

Max Digging Depth	9' 8.9"
Max Digging Radius @ Ground Level	16' 11.3"
Max Vertical Digging Depth	6' 7.3"
Max Dumping Height	11' 0.7"

DOZER BLADE DIMENSIONS

Width	67"
Height	13.5"
Lift Above Ground	14.65"
Drop Below Ground	14.53"

PERFORMANCE

Digging Force @ Bucket (K7875)	7924 lbs.
Digging Force @ Dipper Arm	4451 lbs.
Travel Speed (Low/High)	1.9/2.9 mph
Climbing Ability	36% / 20°
Lift Capacity	3230 lbs.

- Over Front
- Blade Grounded
- 2 Ft. Load Point Height
- 8 Ft. Load Radius



K Series U35-4

HOW TO SELECT A U35-4 EXCAVATOR (Sample Order Information Page)

Below are examples of a complete U35-4 order. To submit your order, please select the Basic Unit Model that you desire from Part 1. Then select the attachments from Parts 2 and 3 needed to complete your order.

STEP 1)	Select from Part 1 the Basic Unit that fits your needs. For example, choose a U35-4R1A and get: Base Model, rubber tracks, 4-post ROPS/OPG (Top Guard, Level I) canopy, angle dozer blade, dipper arm and counterweight.
STEP 2)	Select from Parts 2 and 3 the attachments necessary to make the unit a complete machine. Choose buckets and quick couplers, thumb

(SAMPLE ORDER)

ORDER CODE	DESCRIPTION	FACTORY NUMBER	APPROX. SHIP WT.	SUGGESTED LIST PRICE
STANDARD UNIT U35-4R1A COMPLETE ORDER AND PRICE				
BASIC UNIT:				
U35-4R1A	Excavator Basic Unit	K38K617A12	8,478	\$50,812.00
With:	Rubber Tracks 4-Post ROPS/OPG (Top Guard, Level I) Canopy Angle Dozer Blade Dipper arm Counterweight			
ATTACHMENTS:				
K7796	24" 3.73 cu. ft. 3-Hole H. D. Bucket	K987A24	265	\$1,299.00
				<u>\$52,111.00</u>
STANDARD UNIT U35-4R3 COMPLETE ORDER AND PRICE				
BASIC UNIT:				
U35-4R3	Excavator Basic Unit	K42K132A88	8,478	\$55,438.00
With:	Rubber Tracks Air Conditioned ROPS/OPG (Top Guard, Level I) Cab Dozer Blade Dipper arm Counterweight			
ATTACHMENTS:				
K7870A	Quick Coupler	K974A32	75	\$1,282.00
K7875A	24" 4.25 cu. ft. Trenching Bucket	K1K346A72	257	\$1,772.00
				<u>\$58,492.00</u>

KUBOTA**K Series U35-4**

ORDER CODE	DESCRIPTION	FACTORY NUMBER	APPROX. SHIP WT.	SUGGESTED LIST PRICE
PART 1	MODEL U35-4 BASIC UNITS			
U35-4R1	Excavator Basic Unit	K36K272A52	8,478	\$47,727.00
With:	Rubber Tracks, 4-Post ROPS/OPG (Top Guard, Level I) Canopy, Dozer Blade, Dipper Arm, Counterweight,			
U35-4R1A	Excavator Basic Unit	K38K617A12	8,478	\$50,812.00
With:	Rubber Tracks, 4-Post ROPS/OPG (Top Guard, Level I) Canopy, Angle Dozer Blade, Dipper Arm, Counterweight			
U35-4R3	Excavator Basic Unit	K42K132A88	8,478	\$55,438.00
With:	Rubber Tracks, Air Conditioned ROPS/OPG (Top Guard, Level I) Cab, Dozer Blade, Dipper Arm, Counterweight			
U35-4R3A	Excavator Basic Unit	K44K475A96	8,478	\$58,521.00
With:	Rubber Tracks, Air Conditioned ROPS/OPG (Top Guard, Level I) Cab, Angle Dozer Blade, Dipper Arm, Counterweight			
PART 2	BUCKETS			
	PIN-ON BUCKETS (Order attaching pins from Parts)			
K7792A	12 inch 2.60 cu. ft. 3-Hole Bucket	K797A24	194	\$1,049.00
K7793	16 inch 2.80 cu. ft. 3-Hole Bucket	K856A52	220	\$1,127.00
K7794	18 inch 3.20 cu. ft. 3-Hole Bucket	K895A28	229	\$1,178.00
K7796	24 inch 4.50 cu. ft. 3-Hole Bucket	K987A24	265	\$1,299.00
	QUICK ATTACH BUCKETS			
K7849	Hydraulic Quick Coupler		87	\$1,733.00
K7415	Hydraulic Quick Coupler Completion Kit Contains all components needed to complete installation of K7849		33	\$900.00
K7870A	QUICK COUPLER Curl hole and power hole built into quick coupler. Includes two mounting pins, 1 locking pin and hardware.	K974A32	75	\$1,282.00
K9807	BUCKET HANGERS Set of 2 bucket ear blanks. Converts buckets to quick coupler	K307A04	49	\$404.00
K7872A	12 inch 2.13 cu. ft. Trenching Bucket	K995A60	160	\$1,310.00
K7873	16 inch 2.83 cu. ft. Trenching Bucket	K790A40	185	\$1,040.00
K7874A	18 inch 3.19 cu. ft. Trenching Bucket The K7874A bucket has four teeth. The K7910A Thumb tines contact the end of the teeth and do not mesh between the teeth.	K1K124A04	190	\$1,479.00
K7874C	18 inch 3.19 cu. ft. Trenching Bucket This is the same bucket as K7874A (WITHOUT shanks for teeth)	K1K124A04	190	\$1,479.00
K7875A	24 inch 4.25 cu. ft. Trenching Bucket	K1K346A72	257	\$1,772.00
K7875C	24 inch 4.25 cu. ft. Trenching Bucket This is the same bucket as K7875A (WITHOUT shanks for teeth)	K1K346A72	#N/A	\$1,772.00
K7473A	36 inch 3.0 cu. ft. TILT GRADING BUCKET (RETAIL ONLY) Includes hoses and fittings. Tilts 45° each direction.	K4K572A16	305	\$6,016.00
K7473	36" 3.0 cu.ft. TILT GRADING BUCKET (PLANNED ONLY) Includes hoses and fittings. Tilts 45 deg each direction	K4K572A16	305	\$6,016.00
K7474A	BOLT ON CUTTING EDGE For K7473 36" grading bucket	K161A12	36	\$212.00
K7458	36 inch Grading Blade	K1K246A40	270	\$1,640.00
K7546	36" Cemetery Bucket	K1K634A00	265	\$2,150.00

KUBOTA**K Series U35-4**

ORDER CODE	DESCRIPTION	FACTORY NUMBER	APPROX. SHIP WT.	SUGGESTED LIST PRICE
PART 3	ATTACHMENTS			
K7910A	HYDRAULIC THUMB KIT (K7870A Quick Coupler required)	K2K756A52	195	\$3,627.00
K7461	24 INCH EXCAVATING RAKE, QUICK ATTACH	K1K720A64	300	\$2,264.00
K7940	CANOPY WORK LIGHT KIT	K117A80	6	\$155.00
K9784	TRAVEL ALARM KIT Emits an audible signal when traveling forward or reverse.	K222A68	1	\$293.00
K7984	SPARK ARRESTOR MUFFLER KIT Optional kit for use in close proximity with grass, brush, timber and similar cellulose materials with potential for ignition. Requires Heat Insulation Kit. 77700-06495	K380A76	10	\$501.00
PART 4	ROPS / OPG (Top Guard, Level I)			
K9786	REPLACEMENT 4-POST ROPS / OPG (Top Guard, Level I) CANOPY	K1K235A76	240	\$1,626.00
K9787	REPLACEMENT ROPS / OPG (Top Guard, Level I) CAB The K9787 cab is configured as a replacement for damaged factory mounted cabs. It does not include cabin electrical wiring, wiper motor, heater, or defroster. Refer to illustrated parts list to order these components.	K5K261A48	558	\$6,923.00
K7479	Cab Mirror Kit Includes two side mirrors, one for each side, one rear mirror, and attaching hardware	K222A68	11	\$293.00
K9943A	RETRACTABLE SEAT BELT OPTION (3") As required in some states for OSHA compliance	K71A44	3	\$94.00
	Available from Parts 77700-06495 Heat Insulation Kit for Spark Arrestor Muffler 70000-00297 Block Heater Kit 77700-04753A Radio Kit AM/FM/ WB/ AUX (for Cab models Only) 77700-04754A Radio Kit AM/FM/ WB/ AUX/ USB/ iPod/ SAT (for Cab models ONLY) 77700-08686 Strobe Light, Class 2, LED, flashing strobe w/ vacuum magnetic mounting 77700-08687 Rotating Beacon, Class 1, Halogen (beacon light only) w/ magnetic mounting 77700-10379 Wire harness needed for installation of Strobe (77700-08686) and Beacon (77700-08687) on <u>ROPS machines ONLY</u> RD829-53870 Switch for Strobe (77700-08686) and Beacon (77700-08687) ROPS and CAB Versions			
PART 5	KubotaNOW Telematics Service (each order will require the DCU6700 modem and model specific wiring harness)			
DCU6700	AT&T Telematics Modem	K300A20	1	\$395.00
K6704	Excavator Telematics Wiring Harness	K98A80	2	\$130.00
	KubotaNOW Telematics Service includes a three (3) year term			

KUBOTA

KUBOTA

KX040-4 Hydraulic Excavator

FEATURES

Eco Plus System
Auto Idler
Rubber Or Steel Track Models
ROPS/OPG (Top Guard, Level I) 4-Post Canopy or Air Conditioning Cab
Suspension Seat
Kubota 1 Hydraulic Pump Load Sensing System
1 Variable Displacement Pump
All Controls Hydraulic Pilot Controls
Two Operating Pattern Selection System
Accumulator
Digital Control Panel
Attachment Flow Presets, Service Alerts
Standard Front Dozer Blade w/ Float
Optional Float Angle Blade w/ Bolt-on Cutting Edge
360 Degree Full Rotation
70 Degree Left, 55 Degree Right Boom Swing
17.2 gpm Adjustable Auxiliary Hydraulics Port 1
Auxiliary Hydraulics Diverter Valve
9.8 gpm Adjustable Auxiliary Hydraulics Port 2 Option
Thumb Bracket and Relief Valves
Five Second Quick Preheat System
Key Switch Stop System
Half Pitch Rubber Tracks
Self-Bleed Fuel System
Auto-Downshift Two Speed Travel System
Swivel Negative Brake
Travel Negative Brake
Third Line

BASIC UNITS

KX040-4R1, Rubber Tracks, 4-Post ROPS/OPG (TOP GUARD, LEVEL I) Canopy, Dozer Blade
KX040-4R1A, Rubber Tracks, ROPS/OPG (TOP GUARD, LEVEL I) Canopy, Angle Dozer Blade
KX040-4R1T, Rubber Tracks, ROPS/OPG (TOP GUARD, LEVEL I) Canopy, 6-in-1 Dozer Blade
~~KX040-4R1P, Rubber Tracks, 4-Post ROPS/OPG (TOP GUARD, LEVEL I), Canopy, Dozer Blade, SP2~~
KX040-4R1AP, Rubber Tracks, 4-Post ROPS/OPG (TOP GUARD, LEVEL I) Canopy, Angle Dozer Blade, SP2
KX040-4R1TP, Rubber Tracks, 4-Post ROPS/OPG (TOP GUARD, LEVEL I) Canopy, 6-in-1 Dozer Blade, SP2
KX040-4R3, Rubber Tracks, Air Conditioned ROPS/OPG (TOP GUARD, LEVEL I) Cab, Dozer Blade
KX040-4R3A, Rubber Tracks, Air Conditioned ROPS/OPG (TOP GUARD, LEVEL I) Cab, Angle Dozer Blade
KX040-4R3T, Rubber Tracks, Air Conditioned ROPS/OPG (TOP GUARD, LEVEL I) Cab, 6-in-1 Dozer Blade
~~KX040-4R3P, Rubber Tracks, Air Conditioned ROPS/OPG (TOP GUARD, LEVEL I) Cab, Dozer Blade, SP2~~
KX040-4R3AP, Rubber Tracks, Air Conditioned ROPS/OPG (TOP GUARD, LEVEL I), Cab, Angle Dozer Blade, SP2
KX040-4R3TP, Rubber Tracks, Air Conditioned ROPS/OPG (TOP GUARD, LEVEL I), Cab, 6-in-1 Dozer Blade, SP2
~~KX040-4S1, Steel Tracks, 4-Post ROPS/OPG (TOP GUARD, LEVEL I) Canopy, Dozer Blade~~
~~KX040-4S1A, Steel Tracks, 4-Post ROPS/OPG (TOP GUARD, LEVEL I) Canopy, Angle Dozer Blade~~
~~KX040-4S1T, Steel Tracks, 4-Post ROPS/OPG (TOP GUARD, LEVEL I) Canopy, 6-in-1 Dozer Blade~~
~~KX040-4S1P, Steel Tracks, 4-Post ROPS/OPG (TOP GUARD, LEVEL I) Canopy, Dozer Blade, SP2~~

BASIC UNITS (cont'd)

~~KX040-4S1P, Steel Tracks, 4-Post ROPS/OPG (TOP GUARD, LEVEL I) Canopy, Dozer Blade, SP2~~
~~KX040-4S1AP, Steel Tracks, 4-Post ROPS/OPG (TOP GUARD, LEVEL I) Canopy, Angle Dozer Blade, SP2~~
KX040-4S1TP, Steel Tracks, 4-Post ROPS/OPG (TOP GUARD, LEVEL I) Canopy, 6-in-1 Dozer Blade, SP2
KX040-4S3, Steel Tracks, Air Conditioned ROPS/OPG (TOP GUARD, LEVEL I) Cab, Dozer Blade
KX040-4S3A, Steel Tracks, ROPS/OPG (TOP GUARD, LEVEL I) Air Conditioned Cab, Angle Dozer Blade
KX040-4S3T, Steel Tracks, ROPS/OPG (TOP GUARD, LEVEL I) Air Conditioned Cab, 6-in-1 Dozer Blade
KX040-4S3P, Steel Tracks, Air Conditioned ROPS/OPG (TOP GUARD, LEVEL I) Cab, Dozer Blade, SP2
KX040-4S3AP, Steel Tracks, ROPS/OPG (TOP GUARD, LEVEL I) Air Conditioned Cab, Angle Dozer Blade, SP2
KX040-4S3TP, Steel Tracks, ROPS/OPG (TOP GUARD, LEVEL I) Air Conditioned Cab, 6-in-1 Dozer Blade, SP2

DIMENSIONS AND OPERATING WEIGHT

KX040-4R1, Rubber Tracks, 4-Post ROPS/OPG (TOP GUARD, LEVEL I) Canopy, Dozer Blade
Overall Length 16' 8.2"
Overall Width 5' 6.9"
Overall Height 8' 1.8"
Operating Weight* 9,195 lbs.
Ground Clearance 12.9"

KX040-4R3A, Rubber Tracks, Air Conditioned ROPS/OPG (TOP GUARD, LEVEL I) Cab, Angle Dozer Blade
Overall Length 16' 8.1"
Overall Width 5' 6.9"
Overall Height 8' 1.8"
Operating Weight* 9,855 lbs.
Ground Clearance 12.9"
* Includes operator's weight, 175 lbs.

ENGINE

D1803 Kubota DI CRS Turbo Tier 4 Diesel Engine
3 Cylinder, 4 Cycle ; 40.4 Gross HP, 38.9 Net HP
@ 2200 rpm (SAE J1995 & J1349 Respectively)

OPERATIONAL DIMENSIONS

Max Digging Depth 11' 2.7"
Max Digging Radius @ Ground Level 17' 9.0"
Max Vertical Digging Depth 7' 4.8"
Max Dumping Height 12' 9.5"

STANDARD DOZER BLADE DIMENSIONS

Width 66.9"
Height 15.75"
Lift Above Ground 15.17"
Drop Below Ground 15.94"

PERFORMANCE

Digging Force @ Bucket (K7875) 9,535 lbs.
Digging Force @ Dipper Arm 4,112 lbs.
Travel Speed (Low/ High) 1.8/3.1 mph
Climbing Ability 36% / 20°
Lift Capacity 4,080 lbs.
• Over Front, Blade Grounded
• 2.0 ft. Load Point Height, 8.0 ft. Load radius



K Series KX040-4

HOW TO SELECT A KX040-4 EXCAVATOR (Sample Order Information Page)

Below are examples of a complete KX040-4 order. To submit your order, please select the Basic Unit Model that you desire from Part 1. Then select the attachments from Parts 2 and 3 needed to complete your order.

Step 1

Select from Part 1 the Basic Unit that fits your needs. For Example, choose a KX040-4R1 and get: Base Model, Rubber Tracks, 4-Post ROPS/OPG (Top Guard, Level 1) canopy, dozer blade, dipper arm, and counterweight.

Step 2

Select from Part 2 and Part 3 the attachments necessary to make the unit a complete machine. Choose buckets, quick couplers, and thumb if applicable.

(SAMPLE ORDER)

ORDER CODE	DESCRIPTION	FACTORY NUMBER	APPROX. SHIP WT.	SUGGESTED LIST PRICE
STANDARD UNIT KX040-4R1 COMPLETE ORDER AND PRICE				
BASIC UNIT:				
KX040-4R1	Excavator Basic Unit	K43K006A12	8,576	\$56,587.00
	With: Rubber Tracks			
	4-Post ROPS/OPG (Top Guard, Level I) Canopy			
	Dozer Blade			
	Dipper arm			
	Counterweight			
ATTACHMENTS:				
K7796	24" 4.30 cu. ft. 3-Hole H. D. Bucket	K987A24	265	\$1,299.00
				<u>\$57,886.00</u>
STANDARD UNIT KX040-4R3A COMPLETE ORDER AND PRICE				
BASIC UNIT:				
KX040-4R3A	Excavator Basic Unit	K50K288A44	9,312	\$66,169.00
	With: Rubber Tracks			
	Air Conditioned ROPS/OPG (Top Guard, Level I) Cab			
	Angle Dozer Blade			
	Dipper arm			
	Counterweight			
ATTACHMENTS:				
K7870A	Quick Coupler	K974A32	75	\$1,282.00
K7875A	24" 4.25 cu. ft. Trenching Bucket	K1K346A72	257	\$1,772.00
K7910A	Hydraulic Thumb Kit	K2K756A52	195	\$3,627.00
				<u>\$72,850.00</u>

KUBOTA**K Series KX040-4**

ORDER CODE	DESCRIPTION	FACTORY NUMBER	APPROX. SHIP WT.	SUGGESTED LIST PRICE
PART 1	MODEL KX040-4 BASIC UNITS			
KX040-4R1	Excavator Basic Unit	K43K006A12	8576	\$56,587.00
With:	Rubber Tracks, 4-Post ROPS/OPG (Top Guard, Level I) Canopy, Dozer Blade, Dipper Arm, Counterweight			
KX040-4R1A	Excavator Basic Unit	K45K098A40	8576	\$59,340.00
With:	Rubber Tracks, 4-Post ROPS/OPG (Top Guard, Level I) Canopy, Angle Dozer Blade, Dipper Arm, Counterweight			
KX040-4R1T	Excavator Basic Unit	K48K320A80	8,576	\$63,580.00
With:	Rubber Tracks, 4-Post ROPS/OPG (Top Guard, Level I) Canopy, 6-in-1 Dozer Blade, Dipper Arm, Counterweight			
KX040-4R1P	Excavator Basic Unit (Discontinued Model)	K44K345A24	8576	\$58,349.00
With:	Rubber Tracks, 4-Post ROPS/OPG (Top Guard, Level I) Canopy, Dozer Blade, Dipper Arm, Counterweight, SP2			
KX040-4R1AP	Excavator Basic Unit	K46K437A52	8576	\$61,102.00
With:	Rubber Tracks, 4-Post ROPS/OPG (Top Guard, Level I) Canopy, Angle Dozer Blade, Dipper Arm, Counterweight, SP2			
KX0404R1TP	Excavator Basic Unit	K49K660A68	8,576	\$65,343.00
With:	Rubber Tracks, 4-Post ROPS/OPG (Top Guard, Level I) Canopy, 6-in-1 Dozer Blade, Dipper Arm, Counterweight, SP2			
KX040-4R3	Excavator Basic Unit	K48K195A40	9312	\$63,415.00
With:	Rubber Tracks, Air Conditioned ROPS/OPG (Top Guard, Level I) Cab, Dozer Blade, Dipper Arm, Counterweight			
KX040-4R3A	Excavator Basic Unit	K50K288A44	9312	\$66,169.00
With:	Rubber Tracks, Air Conditioned ROPS/OPG (Top Guard, Level I) Cab, Angle Dozer Blade, Dipper Arm, Counterweight			
KX040-4R3T	Excavator Basic Unit	K53K510A08	8,719	\$70,408.00
With:	Rubber Tracks, Air Conditioned ROPS/OPG (Top Guard, Level I) Cab, 6-in-1 Dozer Blade, Dipper Arm, Counterweight			
KX040-4R3P	Excavator Basic Unit (Discontinued Model)	K49K534A52	9312	\$65,177.00
With:	Rubber Tracks, Air Conditioned ROPS/OPG (Top Guard, Level I) Cab, Dozer Blade, Dipper Arm, Counterweight, SP2			
KX040-4R3AP	Excavator Basic Unit	K51K627A56	9312	\$67,931.00
With:	Rubber Tracks, Air Conditioned ROPS/OPG (Top Guard, Level I) Cab, Angle Dozer Blade, Dipper Arm, Counterweight, SP2			
KX0404R3TP	Excavator Basic Unit	K54K849A96	8,719	\$72,171.00
With:	Rubber Tracks, Air Conditioned ROPS/OPG (Top Guard, Level I) Cab, 6-in-1 Dozer Blade, Dipper Arm, Counterweight, SP2			
KX040-4S1	Excavator Basic Unit (Discontinued Model)	K44K260A88	8576	\$58,238.00
With:	Steel Tracks, 4-Post ROPS/OPG (Top Guard, Level I) Canopy, Dozer Blade, Dipper Arm, Counterweight			

KUBOTA**K Series KX040-4**

ORDER CODE	DESCRIPTION	FACTORY NUMBER	APPROX. SHIP WT.	SUGGESTED LIST PRICE
PART 1	MODEL KX040-4 BASIC UNITS (Cont.)			
KX040-4S1A	Excavator Basic Unit (Discontinued Model)	K46K353A16	8576	\$60,991.00
With:	Steel Tracks, 4-Post ROPS/OPG (Top Guard, Level I) Canopy, Angle Dozer Blade, Dipper Arm, Counterweight			
KX040-4S1T	Excavator Basic Unit (Discontinued Model)	K49K575A56	8576	\$65,231.00
With:	Steel Tracks, 4-Post ROPS/OPG (Top Guard, Level I) Canopy, 6-in-1 Dozer Blade, Dipper Arm, Counterweight			
KX040-4S1P	Excavator Basic Unit (Discontinued Model)	K45K600A00	9259	\$60,000.00
With:	Steel Tracks, 4-Post ROPS/OPG (Top Guard, Level I) Canopy, Dozer Blade, Dipper Arm, Counterweight, SP2			
KX040-4S1AP	Excavator Basic Unit (Discontinued Model)	K47K693A04	8576	\$62,754.00
With:	Steel Tracks, 4-Post ROPS/OPG (Top Guard, Level I) Canopy, Angle Dozer Blade, Dipper Arm, Counterweight, SP2			
KX0404S1TP	Excavator Basic Unit	K50K914A68	8576	\$66,993.00
With:	Steel Tracks, 4-Post ROPS/OPG (Top Guard, Level I) Canopy, 6-in-1 Dozer Blade, Dipper Arm, Counterweight, SP2			
KX040-4S3	Excavator Basic Unit	K49K450A16	9350	\$65,066.00
With:	Steel Tracks, Air Conditioned ROPS/OPG (Top Guard, Level I) Cab, Dozer Blade, Dipper Arm, Counterweight			
KX040-4S3A	Excavator Basic Unit	K51K543A20	9312	\$67,820.00
With:	Steel Tracks, Air Conditioned ROPS/OPG (Top Level I) Cab, Angle Dozer Blade, Dipper Arm, Counterweight			
KX040-4S3T	Excavator Basic Unit	K54K764A84	8719	\$72,059.00
With:	Steel Tracks, Air Conditioned ROPS/OPG (Top Guard, Level I) Cab, 6-in-1 Dozer Blade, Dipper Arm, Counterweight			
KX040-4S3P	Excavator Basic Unit	K50K789A28	9350	\$66,828.00
With:	Steel Tracks, Air Conditioned ROPS/OPG (Top Guard, Level I) Cab, Dozer Blade, Dipper Arm, Counterweight, SP2			
KX040-4S3AP	Excavator Basic Unit	K52K882A32	9312	\$69,582.00
With:	Steel Tracks, Air Conditioned ROPS/OPG (Top Guard, Level I) Cab, Angle Dozer Blade, Dipper Arm, Counterweight, SP2			
KX0404S3TP	Excavator Basic Unit	K56K103A96	9312	\$73,821.00
With:	Steel Tracks, Air Conditioned ROPS/OPG (Top Guard, Level I) Cab, 6-in-1 Dozer Blade, Dipper Arm, Counterweight, SP2			
PART 2	BUCKET OPTIONS			
	PIN-ON BUCKETS (Order attaching pins from Parts)			
K7792A	12 inch 2.6 cu. ft. 3-Hole Bucket	K797A24	194	\$1,049.00
K7793	16 inch 2.80 cu. ft. 3-Hole Bucket	K856A52	220	\$1,127.00
K7794	18 inch 3.20 cu. ft. 3-Hole Bucket	K895A28	229	\$1,178.00
K7796	24 inch 4.50 cu. ft. 3-Hole Bucket	K987A24	265	\$1,299.00
K7797	30 inch 5.80 cu. ft. 3-Hole Bucket	K1K082A24	300	\$1,424.00
K9836A	36 inch 4.17 cu. ft. Drainage Bucket	K1K026A00	194	\$1,350.00

KUBOTA**K Series KX040-4**

ORDER CODE	DESCRIPTION	FACTORY NUMBER	APPROX. SHIP WT.	SUGGESTED LIST PRICE
	HYDRAULIC QUICK COUPLER			
K7849	Hydraulic Quick Coupler	K1K317A00	87	\$1,733.00
K7813	Hydraulic Quick Coupler Completion Kit Contains all components needed to complete installation of K7849	K696A92	33	\$917.00
	QUICK ATTACH BUCKETS			
	MECHANICAL QUICK ATTACH OPTIONS			
K7870A	QUICK COUPLER Curl hole and power hole built into quick coupler. Includes two mounting pins, 1 locking pin and hardware.	K974A32	75	\$1,282.00
K9807	BUCKET HANGERS Set of 2 bucket ear blanks. Converts buckets to quick coupler style. Modification to match bucket contour req.	K307A04	49	\$404.00
K7872A	12 inch 2.13 cu. ft. Trenching Bucket [Bucket and thumb will interfere with one another]	K995A60	160	\$1,310.00
K7873A	16 inch 2.83 cu. ft. Trenching Bucket	K1K043A48	185	\$1,373.00
K7874A	18 inch 3.19 cu. ft. Trenching Bucket The K7874 bucket has four teeth. The K7910 Thumb tines contact the end of the teeth and do not mesh between the teeth.	K1K124A04	190	\$1,479.00
K7874C	18 inch 3.19 cu. ft. Trenching Bucket This is the same bucket as K7874A (WITHOUT shanks for teeth)	K1K124A04	190	\$1,479.00
K7875A	24 inch 4.25 cu. ft. Trenching Bucket	K1K346A72	257	\$1,772.00
K7875C	24 inch 4.25 cu. ft. Trenching Bucket This is the same bucket as K7875A (WITHOUT shanks for teeth)	K1K346A72	257	\$1,772.00
K7461	24" Excavating Rake	K1K720A64	300	\$2,264.00
K7876A	30 inch 5.31 cu. ft. Trenching Bucket	K1K485A04	265	\$1,954.00
K7876	30 inch 5.31 cu. ft. Trenching Bucket	K1K124A80	1	\$1,480.00
K7546	36" Cemetery Bucket	K1K634A00	265	\$2,150.00
K7877B	36 inch 6.64 cu. ft. Smooth Grading Bucket If used with thumb, the tines meet below cutting	K1K225A12	230	\$1,612.00
K7458	36" Grading Blade	K1K246A40	270	\$1,640.00
K7473A	36 inch 3.0 cu. ft. TILT GRADING BUCKET Includes hoses and fittings. Tilts 45° each direction.	K4K572A16	305	\$6,016.00
K7454	39 inch 4.72 cu. ft. Tilt Grading Bucket Includes hoses and fittings. Tilts 45° each direction	K5K187A76	485	\$6,826.00
K7454A	39 inch 4.72 cu. ft. Tilt Grading Bucket Includes hoses and fittings. Tilts 45° each direction	K5K187A76	485	\$6,826.00
	KUBOTA KONNECT® (KK) QUICK COUPLER OPTIONS			
K7100	KK Hydraulic Quick Coupler Base Kit Base coupler. Requires K7102 completion kit.	K3K648A00	72	\$4,800.00
K7102	KK Hydraulic Coupler Completion Kit Contains hoses, fittings, guards, electrical components required to	K3K192A00	35	\$4,200.00
K7106	KK Mechanical Coupler Base Kit Mechanical operation only. Requires K7108 completion kit.	K951A52	63	\$1,252.00
K7108	KK Mechanical Coupler Completion Kit Contains components required to complete the K7106 kit.	K228A76	15	\$301.00

KUBOTA**K Series KX040-4**

ORDER CODE	DESCRIPTION	FACTORY NUMBER	APPROX. SHIP WT.	SUGGESTED LIST PRICE
K7110	KK Hydraulic Upgrade Base Kit Converts the K106 Mechanical System to a KK Hydraulic System. Must also order the K7112	K928A72	18	\$1,222.00
K7112	KK Hydraulic Upgrade Completion Kit Contains hoses, fittings, guards, electrical components required to complete K7110 Kit	K943A16	25	\$1,241.00
K7116	12" 2.13 cu. ft. KK Quick Attach Trenching Bucket	K893A00	160	\$1,175.00
K7120	30" 5.31 cu. ft. KK Quick Attach Trenching Bucket	K1K301A12	265	\$1,712.00
K7121	36" 6.64 cu. ft. KK Quick Attach Drainage Bucket	K1K100A48	230	\$1,448.00
K7122	36" KK Quick Attach Grading Blade	K1K269A20	270	\$1,670.00
K7123	36" 3.0 cu. ft. KK Quick Attach Tilt Grading Bucket	K3K755A92	305	\$4,942.00
K7124	39" 4.72 cu. ft. KK Quick Attach Tilt Grading Bucket	K4K574A44	185	\$6,019.00
K7127	BUCKET HANGERS, CONTOURED BUCKETS Converts Mechanical Quick Attach Buckets to KK quick coupler style. Already contoured to match mechanical quick coupler bucket profile.	K332A88	24	\$438.00
K7128	BUCKET HANGERS, NON-CONTOURED BUCKETS Converts other brand buckets to KK quick coupler style. Modification to match bucket contour required.	K334A40	82	\$440.00
PART 3	ATTACHMENTS			
K7910A	HYDRAULIC THUMB KIT K7870A Quick Coupler required	K2K756A52	195	\$3,627.00
K7474A	36" Bolt On Cutting Edge For K7877B, K7473, K7121, or K7123 36" Buckets	K161A12	36	\$212.00
K7455A	39" Bolt On Cutting Edge For K7454 or K7124 39" Tilt Grading Bucket	K158A08	44	\$208.00
K7940	CANOPY WORK LIGHT KIT	K117A80	6	\$155.00
K9929	STEEL CRAWLER KIT Convert tracks from rubber to steel	K2K998A96	439	\$3,946.00
K7927	TRAVEL ALARM KIT Emits an audible signal when traveling forward or reverse.	K110A96	2	\$146.00
PART 4	ROPS / OPG (Top Guard, Level I)			
K9153	REPLACEMENT 4-POST ROPS / OPG (Top Guard, Level I) CANOPY	K1K475A16	250	\$1,941.00
K9152	REPLACEMENT ROPS / OPG (Top Guard, Level I) CAB The K9152 cab is configured as a replacement for damaged	K6K496A48	707	\$8,548.00
K7479	Cab Mirror Kit Includes two side mirrors, one for each side, one rear mirror, and attaching hardware.	K222A68	11	\$293.00
K9943A	RETRACTABLE SEAT BELT OPTION (3") As required in some states for OSHA compliance.	K71A44	3	\$94.00
PART 5	KubotaNOW Telematics Service (each order will require the DCU6700 modem and model specific wiring harness)			
DCU6700	AT&T Telematics Modem	K300A20	1	\$395.00
K6704A	Excavator Telematics Wiring Harness [for 40350 and greater]	K112A48	2	\$148.00
K6704	Excavator Telematics Wiring Harness [for 40349 and lower]	K98A80		\$130.00
	KubotaNOW Telematics Service includes a three (3) year term			

KUBOTA**K Series KX040-4****ALLIED ATTACHMENT CONTACTS**

Flail Mower	Rockhound Attachments
Model 30EX	PO Box 22 Hughson, CA 95326 Tel: (800) 426-5615, Fax: (360) 230-2322 Website: http://www.Rockhound.com

Available from Parts

70000-00297 Block Heater Kit

77700-04753A Radio Kit AM/FM/ WB/ AUX (for Cab models Only)

77700-04754A Radio Kit AM/FM/ WB/ AUX/ USB/ iPod/ SAT (for Cab models ONLY)

77700-08686 Strobe Light, Class 2, LED, flashing strobe w/ vacuum magnetic mounting

77700-08687 Rotating Beacon, Class 1, Halogen (beacon light only) w/ magnetic mounting

77700-10379 Wire harness needed for installation of Strobe (77700-08686) and Beacon (77700-08687) on **ROPS machines ONLY**RD829-53870 Switch for Strobe (77700-08686) and Beacon (77700-08687) **ROPS** Versions

KUBOTA**U48-5
Tight Tail Swing Hydraulic Excavator****FEATURES**

Eco Plus System
Auto Idler
Rubber Or Steel Track Models
4-Post ROPS/OPG (Top Guard Level I) Canopy or Air Conditioned Cab
Suspension Seat
Kubota 3 Hydraulic Pump Load Sensing System
1 Gear, 2 Variable Displacement Pumps
All Controls Hydraulic Pilot Controls
Two Operating Pattern Selection System
Accumulator
Digital Control Panel
Attachment Flow Presets, Service Alerts
Standard Front Dozer Blade w/ Float
Optional Float Angle Blade w/ Bolt-on Cutting Edge
360 Degree Full Rotation
70 Degree Left, 53 Degree Right Boom Swing
17.2 gpm Adjustable Auxiliary Hydraulics Port 1
Auxiliary Hydraulics Diverter Valve
9.8 gpm Adjustable Auxiliary Hydraulics Port 2 Option
Thumb Bracket And Relief Valves
Five Second Quick Preheat System
Key Switch Stop System
Half Pitch Rubber Tracks
Self-Bleed Fuel System
Auto-Downshift Two Speed Travel System
Swivel Negative Brake
Travel Negative Brake
Third Line

BASIC UNITS

U48-5R1, Rubber Tracks, ROPS/OPG (Top Guard, Level I) Canopy, Dozer Blade, Dipper Arm, Counterweight
U48-5R1P, Rubber Tracks, ROPS/OPG (Top Guard, Level I) Canopy, Dozer Blade, Dipper Arm, Counterweight, SP2
U48-5R1A, Rubber Tracks, ROPS/OPG (Top Guard, Level I) Canopy, Angle Dozer Blade, Dipper Arm, Counterweight
U48-5R1AP, Rubber Tracks, ROPS/OPG (Top Guard, Level I) Canopy, Angle Dozer Blade, Dipper Arm, Counterweight, SP2
U48-5R3, Rubber Tracks, A/C ROPS/OPG (Top Guard, Level I) Cab, Dozer Blade, Dipper Arm, Counterweight
U48-5R3P, Rubber Tracks, A/C ROPS/OPG (Top Guard, Level I) Cab, Dozer Blade, Dipper Arm, Counterweight, SP2
U48-5R3A, Rubber Tracks, A/C ROPS/OPG (Top Guard, Level I) Cab, Angle Dozer Blade, Dipper Arm, Counterweight
U48-5R3AP, Rubber Tracks, A/C ROPS/OPG (Top Guard, Level I) Cab, Angle Dozer Blade, Dipper Arm, Counterweight, SP2
U48-5S3A, Steel Tracks, A/C ROPS/OPG (Top Guard, Level I) Cab, Angle Dozer Blade, Dipper Arm, Counterweight
U48-5S3AP, Steel Tracks, A/C ROPS/OPG (Top Guard, Level I) Cab, Angle Dozer Blade, Dipper Arm, Counterweight, SP2

ENGINE

D1803-CR-TE5-BH3 Tier 4 Final Diesel Engine
4 Cylinder, 4 Cycle
40.4 Gross HP @ 2200 rpm (SAE J1995)
38.9 Net HP @ 2200 rpm (SAE J1349)

OPERATIONAL DIMENSIONS

Max Digging Depth	10' 8"
Max Digging Radius @ Ground Level	18' 4"
Max Vertical Digging Depth	4' 5"
Max Dumping Height	12' 9"

STANDARD DOZER BLADE DIMENSIONS

Width	77"
Height	16"
Lift Above Ground	17"
Drop Below Ground	16"

PERFORMANCE

Digging Force @ Bucket (K7919)	9,304 lbs.
Digging Force @ Dipper Arm	5,304 lbs.
Travel Speed (Low/High)	1.7/3.0 mph
Climbing Ability	36% / 20°
Lift Capacity	2,640 lbs.
<ul style="list-style-type: none"> • Over Front • Blade Grounded • 4.0 Ft. Load Point Height • 12.0 Ft. Load Radius 	

DIMENSIONS AND OPERATING WEIGHT

U48-5R1, Rubber Tracks, ROPS/OPG (Top Guard Level I) Canopy, Dozer Blade, Dipper Arm, Counterweight

Overall Length	17' 7"
Overall Width	6' 5"
Overall Height	8' 4"
Operating Weight*	10,848 lbs.
Ground Clearance	12"

U48-5R3AP, Rubber Tracks, ROPS/OPG (Top Guard Level I) A/C Cab, Angle Dozer Blade, Dipper Arm, Counterweight, SP2

Overall Length	17' 7"
Overall Width	6' 5"
Overall Height	8' 4"
Operating Weight*	11,531 lbs.
Ground Clearance	12"

* Includes operator's weight, 165 lbs.



K Series U48-5

HOW TO SELECT A U48-5 EXCAVATOR (Sample Order Information Page)

Below are examples of a complete U55-5 order. To submit your order, please select the Basic Unit Model that you desire from Part 1. Then select the attachments from Parts 2 and 3 needed to complete your order.

STEP 1)	Select from Part 1 the Basic Unit that fits your needs. For example, choose a U48-5R1 and get: Base Model, rubber tracks, 4-post ROPS/OPG (Top Guard Level I) Canopy, dozer blade, dipper arm, counterweight, and one service port
STEP 2)	Select from Parts 2 and 3 the attachments necessary to make the unit a complete machine. Choose buckets and quick couplers

(SAMPLE ORDER)

ORDER CODE	DESCRIPTION	FACTORY NUMBER	APPROX. SHIP WT.	SUGGESTED LIST PRICE
STANDARD UNIT U48-5R1 COMPLETE ORDER AND PRICE				
BASIC UNIT:				
U48-5R1	Excavator Basic Unit	K49K182A64	12,535	\$64,714.00
	With: Rubber Tracks			
	4-Post ROPS/OPG (Top Guard, Level I) Canopy			
	Dozer Blade			
	Dipper arm			
	Counterweight			
	One Service Port			
ATTACHMENTS:				
K7915	Quick Coupler	K855A00	96	\$1,125.00
K7254	24" 6.3 cu. QA Trenching Bucket	K1K295A04	275	\$1,704.00
				\$67,543.00
STANDARD UNIT U48-5R3AP COMPLETE				
BASIC UNIT:				
U48-5R3AP	Excavator Basic Unit	K58K106A56	12,535	\$76,456.00
	With: Rubber Tracks			
	Air Conditioned ROPS/OPG (Top Guard, Level I) Cab			
	Angle Dozer Blade			
	Dipper arm			
	Counterweight			
	Two Service Ports			
ATTACHMENTS:				
K7915	Quick Coupler	K855A00	96	\$1,125.00
K7262	Hydraulic Thumb	K2K650A88	1	\$3,488.00
K7254	24" 6.3 cu. ft. QA Trenching Bucket	K1K295A04	275	\$1,704.00
				\$82,773.00

KUBOTA**K Series U48-5**

ORDER CODE	DESCRIPTION	FACTORY NUMBER	APPROX. SHIP WT.	SUGGESTED LIST PRICE
PART 1	MODEL U48-5 BASIC UNITS			
U48-5R1	Excavator Basic Unit	K49K182A64	10,850	\$64,714.00
	With: Rubber Tracks, 4-Post ROPS/OPG (Top Guard, Level I) Canopy, Dozer Blade, Dipper Arm, Counterweight			
U48-5R1P	Excavator Basic Unit (Discontinued Model)	K50K521A76	11,900	\$66,476.00
	With: Rubber Tracks, 4-Post ROPS/OPG (Top Guard, Level I) Canopy, Dozer Blade, Dipper Arm, Counterweight,			
U48-5R1A	Excavator Basic Unit	K51K525A72	11,320	\$67,797.00
	With: Rubber Tracks, 4-Post ROPS/OPG (Top Guard, Canopy, Angle Blade, Dipper Arm, Counterweight			
U48-5R1AP	Excavator Basic Unit	K52K864A08	11,400	\$69,558.00
	With: Rubber Tracks, 4-Post ROPS/OPG (Top Guard, Canopy, Angle Blade, Dipper Arm, Counterweight,			
U48-5R3	Excavator Basic Unit	K54K423A60	11,060	\$71,610.00
	With: Rubber Tracks, A/C ROPS/OPG (Top Guard, Dozer Blade, Dipper Arm, Counterweight			
U48-5R3P	Excavator Basic Unit	K55K762A72	11,100	\$73,372.00
	With: Rubber Tracks, A/C ROPS/OPG (Top Guard, Dozer Blade, Dipper Arm, Counterweight, SP2			
U48-5R3A	Excavator Basic Unit	K56K766A68	11,530	\$74,693.00
	With: Rubber Tracks, A/C ROPS/OPG (Top Guard, Angle Blade, Dipper Arm, Counterweight			
U48-5R3AP	Excavator Basic Unit	K58K106A56	12,115	\$76,456.00
	With: Rubber Tracks, A/C ROPS/OPG (Top Guard, Angle Blade, Dipper Arm, Counterweight, SP2			
U48-5S3A	Excavator Basic Unit (Discontinued Model)	K58K021A44	12,115	\$76,344.00
	With: Steel Tracks, A/C ROPS/OPG (Top Guard, Level Angle Blade, Dipper Arm, Counterweight			
U48-5S3AP	Excavator Basic Unit	K59K360A56	12,115	\$78,106.00
	With: Steel Tracks, A/C ROPS/OPG (Top Guard, Level Angle Blade, Dipper Arm, Counterweight, SP2			

KUBOTA**K Series U48-5**

ORDER CODE	DESCRIPTION	FACTORY NUMBER	APPROX. SHIP WT.	SUGGESTED LIST PRICE
PART 2	QUICK ATTACH BUCKETS			
K7915A	Quick Coupler (RETAIL ONLY) Includes two mounting pins, 1 locking pin and hardware.	K938A60	96	\$1,235.00
K7915	Quick Coupler (PLANNED ONLY) Includes two mounting pins, 1 locking pin and hardware.	K938A60	96	\$1,235.00
K7916	Bucket Hangers Set of two ear blanks. Converts buckets to quick coupler style.	K269A04	97	\$354.00
K7252	12" 2.13 cu.ft. QA Trenching Bucket	K957A60	130	\$1,260.00
K7253	18" 3.19 cu.ft. QA Trenching Bucket	K1K080A72	240	\$1,422.00
K7263	18" 3.19 cu.ft. QA Trenching Bucket (WITHOUT TEETH)	K1K080A72	1	\$1,422.00
K7254	24" 4.25 cu.ft. QA Trenching Bucket	K1K295A04	275	\$1,704.00
K7264	24" 4.25 cu.ft. QA Trenching Bucket (WITHOUT TEETH)	K1K295A04	1	\$1,704.00
K7255	30" 5.31 cu.ft. QA Trenching Bucket	K1K428A04	180	\$1,879.00
K7256	36" 6.64 cu.ft. QA Grading Bucket	K1K178A00	270	\$1,550.00
K7474A	36" Bolt On Cutting Edge	K161A12	36	\$212.00
K7926	36 inch 3.48 cu. ft. Cemetery Bucket	K1K276A80	265	\$1,680.00
PART 3	ATTACHMENTS			
K7262	Hydraulic Thumb Kit for U48-5 K7915A Quick Coupler required	K2K650A88	1	\$3,488.00
K7283	Keyless Start Kit	K151A24	1	\$199.00
K7284	Rearview Camera	K265A24	1	\$349.00
K7286	Air Suspension Seat Kit (CAB Only)	K645A24	86	\$849.00
K7281	Front Guard Kit (CAB Only)	K3K078A0	66	\$4,050.00
K9943A	RETRACTABLE SEAT BELT OPTION (3") As required in some states for OSHA compliance.	K71A44	3	\$94.00
K7479	Cab Mirror Kit Includes two side mirrors, one for each side, one rear mirror, and attaching hardware	K222A68	11	\$293.00
K7277	Travel Alarm Kit Emits an audible signal when traveling forward or reverse.	K136A80	6	\$180.00
PART 4	ROPS / OPG (Top Guard, Level I)			
K7271	REPLACEMENT 4-POST ROPS / OPG (Top Guard, Level I) CANOPY	K1K188A64	6	\$1,564.00
K7274	REPLACEMENT ROPS / OPG (Top Guard, Level I) CAB	K5K058A56	6	\$6,656.00



ALLIED ATTACHMENT CONTACTS

Flail Mower	Rockhound Attachments
Model 30EX	PO Box 22 Hughson, CA 95326 Tel: (800) 426-5615, Fax: (360) 230-2322 Website: http://www.Rockhound.com

PART 5

KubotaNOW Telematics Service (each order will require the DCU6700 modem and model specific wiring harness)

DCU6700	AT&T Telematics Modem	K300A20	1	\$395.00
K6704A	Excavator Telematics Wiring Harness	K112A48	2	\$148.00

KubotaNOW Telematics Service includes a three (3) year term

Available from Parts

77700-04753B Radio Kit AM/FM/ WB/ AUX (for Cab models Only)

77700-04754B Radio Kit AM/FM/ WB/ AUX/ USB/ iPod/ SAT (for Cab models ONLY)

77700-04755B Radio Kit

70000-00297 Block Heater Kit

77700-08686 Strobe Light, Class 2, LED, flashing strobe w/ vacuum magnetic mounting

77700-08687 Rotating Beacon, Class 1, Halogen (beacon light only) w/ magnetic mounting

77700-10379 Wire harness needed for installation of Strobe (77700-08686) and Beacon (77700-08687) on **ROPS**

machines ONLY

RD829-53870 Switch for Strobe (77700-08686) and Beacon (77700-08687) **ROPS** Versions



U55-5
Tight Tail Swing Hydraulic Excavator

FEATURES

Eco Plus System
 Auto Idler
 Rubber Or Steel Track Models
 4-Post ROPS/OPG (Top Guard Level I) Canopy or
 Air Conditioned Cab
 Suspension Seat
 Kubota 3 Hydraulic Pump Load Sensing System
 1 Gear, 2 Variable Displacement Pumps
 All Controls Hydraulic Pilot Controls
 Two Operating Pattern Selection System
 Accumulator
 Digital Control Panel
 Attachment Flow Presets, Service Alerts
 Standard Front Dozer Blade w/ Float
 Optional Float Angle Blade w/ Bolt-on Cutting Edge
 360 Degree Full Rotation
 70 Degree Left, 55 Degree Right Boom Swing
 19.8 gpm Adjustable Auxiliary Hydraulics Port 1
 Auxiliary Hydraulics Diverter Valve
 9.8 gpm Adjustable Auxiliary Hydraulics Port 2 Option
 Thumb Bracket And Relief Valves
 Five Second Quick Preheat System
 Key Switch Stop System
 Half Pitch Rubber Tracks
 Self-Bleed Fuel System
 Auto-Downshift Two Speed Travel System
 Swivel Negative Brake
 Travel Negative Brake
 Third Line

BASIC UNITS

U55-5R1, Rubber Tracks, ROPS/OPG (Top Guard,
 Level I) Canopy, Dozer Blade, Dipper Arm, Counterweight
~~U55-5R1P, Rubber Tracks, ROPS/OPG (Top Guard, Level
 I) Canopy, Dozer Blade, Dipper Arm, Counterweight, SP2~~
 U55-5R1A, Rubber Tracks, ROPS/OPG (Top Guard, Level
 I) Canopy, Angle Dozer Blade, Dipper Arm, Counterweight
 U55-5R1AP, Rubber Tracks, ROPS/OPG (Top Guard,
 Level I) Canopy, Angle Dozer Blade, Dipper Arm,
 Counterweight, SP2
 U55-5R3, Rubber Tracks, A/C ROPS/OPG (Top Guard,
 Level I) Cab, Dozer Blade, Dipper Arm, Counterweight
 U55-5R3P, Rubber Tracks, A/C ROPS/OPG (Top Guard,
 Level I) Cab, Dozer Blade, Dipper Arm, Counterweight, SP2
 U55-5R3A, Rubber Tracks, A/C ROPS/OPG (Top Guard,
 Level I) Cab, Angle Dozer Blade, Dipper Arm,
 Counterweight
 U55-5R3AP, Rubber Tracks, A/C ROPS/OPG (Top Guard,
 Level I) Cab, Angle Dozer Blade, Dipper Arm,
 Counterweight, SP2
~~U55-5S3A, Steel Tracks, A/C ROPS/OPG (Top Guard,
 Level I) Cab, Angle Dozer Blade, Dipper Arm,
 Counterweight~~
 U55-5S3AP, Steel Tracks, A/C ROPS/OPG (Top Guard,
 Level I) Cab, Angle Dozer Blade, Dipper Arm,
 Counterweight, SP2

ENGINE

V2607 Kubota DI CRS Tier 4 Final Diesel Engine
 4 Cylinder, 4 Cycle
 47.6 Gross HP @ 2200 rpm (SAE J1995)
 45.2 Net HP @ 2200 rpm (SAE J1349)

OPERATIONAL DIMENSIONS

Max Digging Depth	11' 10.3"
Max Digging Radius @ Ground Level	19' 6.1"
Max Vertical Digging Depth	4' 11.6"
Max Dumping Height	13' 2.3"

STANDARD DOZER BLADE DIMENSIONS

Width	77.2"
Height	16.1"
Lift Above Ground	17.3"
Drop Below Ground	16.1"

PERFORMANCE

Digging Force @ Bucket (K7919)	11,177 lbs.
Digging Force @ Dipper Arm	6,261 lbs.
Travel Speed (Low/High)	1.8/3.1 mph
Climbing Ability	36% / 20°
Lift Capacity	3,700 lbs.
<ul style="list-style-type: none"> • Over Front • Blade Grounded • 4.0 Ft. Load Point Height • 12.0 Ft. Load Radius 	

DIMENSIONS AND OPERATING WEIGHT

U55-4R1, Rubber Tracks, ROPS/OPG (Top Guard Level I) Canopy, Dozer Blade, Dipper Arm, Counterweight	
Overall Length	18' 1.3"
Overall Width	6' 5.2"
Overall Height	8' 4.4"
Operating Weight*	11,915 lbs.
Ground Clearance	12' 0.2"
U55-4R3AP, Rubber Tracks, ROPS/OPG (Top Guard Level I) A/C Cab, Angle Dozer Blade, Dipper Arm, Counterweight, SP2	
Overall Length	18' 1.3"
Overall Width	6' 5.2"
Overall Height	8' 4"
Operating Weight*	12,535 lbs.
Ground Clearance	12.0.2"

* Includes operator's weight, 165 lbs.



K Series U55-5

HOW TO SELECT A U55-5 EXCAVATOR (Sample Order Information Page)

Below are examples of a complete U55-5 order. To submit your order, please select the Basic Unit Model that you desire from Part 1. Then select the attachments from Parts 2 and 3 needed to complete your order.

STEP 1)	Select from Part 1 the Basic Unit that fits your needs. For example, choose a U55-5R1 and get: Base Model, rubber tracks, 4-post ROPS/OPG (Top Guard Level I) Canopy, dozer blade, dipper arm, counterweight, and one service port
STEP 2)	Select from Parts 2 and 3 the attachments necessary to make the unit a complete machine. Choose buckets and quick couplers

(SAMPLE ORDER)

ORDER CODE	DESCRIPTION	FACTORY NUMBER	APPROX. SHIP WT.	SUGGESTED LIST PRICE
STANDARD UNIT U55-5R1 COMPLETE ORDER				
BASIC UNIT:				
U55-5R1	Excavator Basic Unit	K53K389A24	12,535	\$70,249.00
	With: Rubber Tracks			
	4-Post ROPS/OPG (Top Guard, Level I) Canopy			
	Dozer Blade			
	Dipper arm			
	Counterweight			
	One Service Port			
ATTACHMENTS:				
K7915	Quick Coupler	K938A60	96	\$1,235.00
K7919	24" 6.3 cu. ft. Trenching Bucket	K1K311A00	295	\$1,725.00
				\$73,209.00
STANDARD UNIT U55-5R3AP COMPLETE				
BASIC UNIT:				
U55-5R3AP	Excavator Basic Unit	K62K312A40	12,535	\$81,990.00
	With: Rubber Tracks			
	Air Conditioned ROPS/OPG (Top Guard, Level I) Cab			
	Angle Dozer Blade			
	Dipper arm			
	Counterweight			
	Two Service Ports			
ATTACHMENTS:				
K7915	Quick Coupler	K938A60	96	\$1,235.00
K7937B	Hydraulic Thumb	K1K779A92	195	\$2,342.00
K7919	24" 6.3 cu. ft. Trenching Bucket	K1K311A00	295	\$1,725.00
				\$87,292.00

KUBOTA**K Series U55-5**

ORDER CODE	DESCRIPTION	FACTORY NUMBER	APPROX. SHIP WT.	SUGGESTED LIST PRICE
PART 1	MODEL U55 BASIC UNITS			
U55-5R1	Excavator Basic Unit With: Rubber Tracks, 4-Post ROPS/OPG (Top Guard, Level I) Canopy, Dozer Blade, Dipper Arm, Counterweight	K53K389A24	12,535	\$70,249.00
U55-5R1P	Excavator Basic Unit (Discontinued Model) With: Rubber Tracks, 4-Post ROPS/OPG (Top Guard, Level I) Canopy, Dozer Blade, Dipper Arm, Counterweight, SP2	K54K728A36	12,535	\$72,011.00
U55-5R1A	Excavator Basic Unit With: Rubber Tracks, 4-Post ROPS/OPG (Top Guard, Level I) Canopy, Angle Blade, Dipper Arm, Counterweight	K55K732A32	12,535	\$73,332.00
U55-5R1AP	Excavator Basic Unit With: Rubber Tracks, 4-Post ROPS/OPG (Top Guard, Level I) Canopy, Angle Blade, Dipper Arm, Counterweight, SP2	K57K071A44	12,535	\$75,094.00
U55-5R3	Excavator Basic Unit With: Rubber Tracks, A/C ROPS/OPG (Top Guard, Level I) Cab, Dozer Blade, Dipper Arm, Counterweight	K58K630A96	12,535	\$77,146.00
U55-5R3P	Excavator Basic Unit With: Rubber Tracks, A/C ROPS/OPG (Top Guard, Level I) Cab, Dozer Blade, Dipper Arm, Counterweight, SP2	K59K970A08	12,535	\$78,908.00
U55-5R3A	Excavator Basic Unit With: Rubber Tracks, A/C ROPS/OPG (Top Guard, Level I) Cab, Angle Blade, Dipper Arm, Counterweight	K60K973A28	12,535	\$80,228.00
U55-5R3AP	Excavator Basic Unit With: Rubber Tracks, A/C ROPS/OPG (Top Guard, Level I) Cab, Angle Blade, Dipper Arm, Counterweight, SP2	K62K312A40	12,535	\$81,990.00
U55-5S3A	Excavator Basic Unit (Discontinued Model) With: Steel Tracks, A/C ROPS/OPG (Top Guard, Level I) Cab, Angle Blade, Dipper Arm, Counterweight	K62K228A80	12,700	\$81,880.00
U55-5S3AP	Excavator Basic Unit With: Steel Tracks, A/C ROPS/OPG (Top Guard, Level I) Cab, Angle Blade, Dipper Arm, Counterweight, SP2	K63K567A92	12,700	\$83,642.00
Part 2	Pin Grabber Attachments & Buckets			
K6131	Pin Grabber Coupler	K3K496A00	188	\$4,600.00
K6152	U55-5 Pin Grabber Completion Kit Order if Pin Grabber Coupler is ordered	K752A40	33	\$990.00
K6124	U55-5 Hydraulic Thumb - Pin Grabber Order hydraulic thumb if Pin Grabber Coupler is ordered	#N/A	#N/A	#N/A
	Pin On Buckets [Pins included with Bucket]			
K6163	12" Pin On Trenching Bucket	K1K387A00		\$1,825.00
K6164	18" Pin On Trenching Bucket	K1K463A00		\$1,925.00
K6164C	18" Pin On Trenching Bucket w/o Teeth	K1K463A00		\$1,925.00
K6165	24" Pin On Trenching Bucket	K1K634A00		\$2,150.00
K6165C	24" Pin On Trenching Bucket w/o Teeth	K1K634A00		\$2,150.00
K6166	30" Pin On Trenching Bucket	K1K786A00		\$2,350.00

KUBOTA**K Series U55-5**

ORDER CODE	DESCRIPTION	FACTORY NUMBER	APPROX. SHIP WT.	SUGGESTED LIST PRICE
Part 2 Continued K6167	Pin On Buckets [Pins included with Bucket] 36" Pin On Trenching Bucket	K1K957A00		\$2,575.00
K6134	36" Pin On Grading Bucket	K1K455A40		\$1,915.00
K6136	48" Pin On Drainage Bucket	K1K672A00		\$2,200.00
Part 3 K7915	QUICK ATTACH BUCKETS Quick Coupler Includes two mounting pins, 1 locking pin and hardware.	K938A60	96	\$1,235.00
K7916	Bucket Hangers Set of two ear blanks. Converts buckets to quick coupler style.	K269A04	97	\$354.00
K7917	12 inch 3.00 cu. ft. Trenching Bucket [Bucket teeth and thumb tines do not mesh]	K1K064A00	226	\$1,400.00
K7918	18 inch 4.50 cu. ft. Trenching Bucket The K7918 bucket has four teeth. The K7937A thumb tines the end of the teeth and do not mesh between the teeth.	K1K178A00	295	\$1,550.00
K7918C	18 inch 4.50 cu. ft. Trenching Bucket This is the same bucket as K7918 (WITHOUT shanks for teeth)	K1K178A00	#N/A	\$1,550.00
K7919	24 inch 6.30 cu. ft. Trenching Bucket	K1K311A00	295	\$1,725.00
K7919C	24 inch 6.30 cu. ft. Trenching Bucket This is the same bucket as K7919 (WITHOUT shanks for teeth)	K1K311A00	180	\$1,725.00
K7920	30 inch 8.00 cu. ft. Trenching Bucket	K1K436A40	338	\$1,890.00
K7921	36 inch 8.00 cu. ft. Trenching Bucket	K1K710A00	368	\$2,250.00
K7926	36 inch 3.48 cu. ft. Cemetery Bucket	K1K276A80	265	\$1,680.00
K7922A	36 inch 6.64 cu. ft. Drainage Bucket (RETAIL ONLY) Pre-drilled for bolt on cutting edge.	K1K227A40	270	\$1,615.00
K7922	36 inch 6.64 cu. ft. Drainage Bucket (PLANNED ONLY) Pre-drilled for bolt on cutting edge.	K1K406A00	270	\$1,850.00
K7474A	Bolt On Cutting Edge for K7922A 36" Drainage	K161A12	36	\$212.00
K7924A	48 inch 8.50 cu. ft. Grading Bucket (RETAIL ONLY) Pre-drilled for bolt on cutting edge. Not authorized for use on models with K7937A thumb	K1K754A08	400	\$2,308.00
K7924	48 inch 8.50 cu. ft. Grading Bucket (PLANNED ONLY) Pre-drilled for bolt on cutting edge. Not authorized for use on models with K7937A thumb	K1K754A08	400	\$2,308.00
K7878A	Bolt On Cutting Edge for K7924A 48" Grading Bucket	K215A08	51	\$283.00
Part 4 K7937B	ATTACHMENTS HYDRAULIC THUMB KIT (K7915 Quick Coupler Required)	K1K779A92	195	\$2,342.00
K7932	FROST RIPPER	K997A88	315	\$1,313.00
K7270	CANOPY WORK LIGHT KIT	K117A80	6	\$155.00
K7278	TRAVEL ALARM KIT Emits an audible signal when traveling forward or reverse.	K136A80	6	\$180.00
K7280	Steel Crawler Kit Converts tracks from rubber to steel	K4K105A52	439	\$5,402.00
K7440	BOLT ON RUBBER PAD KIT (400 mm, 15.7")	K3K099A28	250	\$4,078.00



K Series U55-5

ORDER CODE	DESCRIPTION	FACTORY NUMBER	APPROX. SHIP WT.	SUGGESTED LIST PRICE
Part 5	ROPS / OPG (Top Guard, Level I)			
K7273	REPLACEMENT 4-POST ROPS / OPG (Top Guard, Level I) CANOPY	K1K188A64	6	\$1,564.00
K7276	REPLACEMENT ROPS / OPG (Top Guard, Level I) CAB	K5K058A56	1	\$6,656.00
	The K7936 cab is configured as a replacement for damaged factory mounted cabs. It does not include cabin electrical wiring, wiper motor, air conditioner, heater, or defroster. Refer to illustrated parts list to order these components.			
K7479	Cab Mirror Kit	K222A68	11	\$293.00
	Includes two side mirrors, one for each side, one			
K9943A	RETRACTABLE SEAT BELT OPTION (3") As required in some states for OSHA compliance.	K71A44	3	\$94.00
K7283	Keyless Start Kit	K151A24	1	\$199.00
K7284	Rearview Camera	K265A24	1	\$349.00
K7286	Air Suspension Seat Kit (CAB Only)	K645A24	86	\$849.00
K7281	Front Guard Kit (CAB Only)	K3K078A0	66.13999939	\$4,050.00
PART 5	KubotaNOW Telematics Service (each order will require the DCU6700 modem and model specific wiring harness)			
DCU6700	AT&T Telematics Modem	K300A20	1.3	\$395.00
K6704A	Excavator Telematics Wiring Harness	K112A48	1.75	\$148.00
	KubotaNOW Telematics Service includes a three (3) year term			

Flail Mower	Rockhound Attachments
Model 30EX	PO Box 22 Hughson, CA 95326 Tel: (800) 426-5615, Fax: (360) 230-2322 Website: http://www.Rockhound.com

Available from Parts

- 70000-73274 Block Heater Kit
- 77700-04753B Radio Kit AM/FM/ WB/ AUX (for Cab models Only)
- 77700-04754B Radio Kit AM/FM/ WB/ AUX/ USB/ iPod/ SAT (for Cab models ONLY)
- 77700-04755B Radio Kit
- 77700-08686 Strobe Light, Class 2, LED, flashing strobe w/ vacuum magnetic mounting
- 77700-08687 Rotating Beacon, Class 1, Halogen (beacon light only) w/ magnetic mounting
- 77700-10379 Wire harness needed for installation of Strobe (77700-08686) and Beacon (77700-08687) on **ROPS machines ONLY**
- RD829-53870 Switch for Strobe (77700-08686) and Beacon



**KX057-5
Hydraulic Excavator**

FEATURES

7" LCD Color Display
Auto Idler
Rubber Or Steel Track Models
4-Post ROPS/OPG (Top Guard, Level I) Canopy or Air
Conditioned Cab
Suspension Seat
Kubota 3 Hydraulic Pump Load Sensing System
1 Gear, 2 Variable Displacement Pumps
All Controls Hydraulic Pilot Controls
Two Operating Pattern Selection System
Accumulator
Digital Control Panel
Attachment Flow Presets, Service Alerts
Standard Front Dozer Blade w/ Float
Optional Float Angle Blade w/ Bolt-on Cutting Edge
360 Degree Full Rotation
70 Degree Left, 55 Degree Right Boom Swing
19.8 gpm Adjustable Auxiliary Hydraulics Port 1
Auxiliary Hydraulics Diverter Valve
9.8 gpm Adjustable Auxiliary Hydraulics Port 2 Option
Thumb Bracket And Relief Valves
Five Second Quick Preheat System
Key Switch Stop System
Half Pitch Rubber Tracks
Self Bleed Fuel System
Auto-Downshift Two Speed Travel System
Swivel Negative Brake
Travel Negative Brake
Third Line
Keyless Start – optional
Rearview Camera – optional
Air Ride Suspension Seat - optional

ENGINE

V2607 Kubota CR E5 BH1 Tier 4 Final Diesel Engine
4 Cylinder, 4 Cycle
47.6 Gross HP @ 2200 rpm (SAE J1995)
46.4 Net HP @ 2200 rpm (SAE J1349)

OPERATIONAL DIMENSIONS

Max Digging Depth	12' 9"
Max Digging Radius @ Ground Level	20' 1"
Max Vertical Digging Depth	5' 4"
Max Dumping Height	13' 8.6"

STANDARD DOZER BLADE DIMENSIONS

Width	77.2"
Height	16.1"
Lift Above Ground	17.3"
Drop Below Ground	15.9"

PERFORMANCE

Digging Force @ Bucket	10,172 lbs.
Digging Force @ Dipper Arm	5,463 lbs.
Travel Speed (Low / High)	1.7/3.0 mph
Climbing Ability	36% / 20°
Lift Capacity	3,410 lbs.
<ul style="list-style-type: none"> • Over Front • Blade Grounded • 4.0 Ft. Load Point Height • 12.0 Ft. Load Radius 	

BASIC UNITS

KX057-5R1, Rubber Tracks, ROPS/OPG (Top Guard, Level I)
Canopy, Dozer Blade, Dipper Arm, Counterweight
~~KX057-5R1P, Rubber Tracks, ROPS/OPG (Top Guard,
— Level I) Canopy, Dozer Blade, Dipper Arm,
— Counterweight, SP2~~
KX057-5R1A, Rubber Tracks, ROPS/OPG (Top Guard,
Level I) Canopy, Angle Dozer Blade, Dipper Arm,
Counterweight
KX057-5R1AP, Rubber Tracks, ROPS/OPG (Top Guard, Level I)
Canopy, Angle Dozer Blade, Dipper Arm, Counterweight, SP2
KX057-5R3, Rubber Tracks, A/C ROPS/OPG (Top Guard,
Level I) Cab, Dozer Blade, Dipper Arm, Counterweight
KX057-5R3P, Rubber Tracks, A/C ROPS/OPG (Top Guard,
Level I) Cab, Dozer Blade, Dipper Arm, Counterweight, SP2
KX057-5R3A, Rubber Tracks, A/C ROPS/OPG (Top Guard,
Level I) Cab, Angle Dozer Blade, Dipper Arm, Counterweight,
KX057-5R3AP, Rubber Tracks, A/C ROPS/OPG (Top Guard,
Level I) Cab, Angle Dozer Blade, Dipper Arm, Counterweight,
SP2
~~KX057-5S3A, Steel Tracks, A/C ROPS/OPG (Top Guard,
— Level I) Cab, Angle Dozer Blade, Dipper Arm,
— Counterweight~~
KX057-5S3AP, Steel Tracks, A/C ROPS/OPG (Top Guard,
Level I) Cab, Angle Dozer Blade, Dipper Arm,
Counterweight, SP2

Dimensions and Operating Weight

KX057-5R1, Rubber Tracks, ROPS/OPG (Top Guard, Level I) Canopy, Dozer Blade, Dipper Arm, Counterweight	
Overall Length	18' 1.3"
Overall Width	6' 5.2"
Overall Height	8' 4.4"
Operating Weight*	12,346 lbs.
Ground Clearance	12' 0.2"
KX057-5R3AP, Rubber Tracks, ROPS/OPG (Top Guard, A/C Cab, Angle Dozer Blade, Dipper Arm, Counterweight, SP2	
Overall Length	18' 1.3"
Overall Width	6' 5.2"
Overall Height	8' 4"
Operating Weight*	13,051 lbs.
Ground Clearance	12.0.2"

* Includes operator's weight, 165 lbs.

KUBOTA



K Series KX057-5

HOW TO SELECT A KX057-5 EXCAVATOR (Sample Order Information Page)

Below are examples of a complete KX057-5 order. To submit your order, please select the Basic Unit Model that you desire from Part 1. Then select the attachments from Parts 2 and 3 needed to complete your order.

STEP 1)	Select from Part 1 the Basic Unit that fits your needs. For example, choose a KX057-5R1 and get: Base Model, rubber tracks, 4-post ROPS/OPG (Top Guard, Level I) canopy, dozer blade, dipper arm, counterweight, and one service port
STEP 2)	Select from Parts 2 and 3 the attachments necessary to make the unit a complete machine. Choose buckets and quick couplers, thumb

(SAMPLE ORDER)

ORDER CODE	DESCRIPTION	FACTORY NUMBER	APPROX. SHIP WT.	SUGGESTED LIST PRICE
STANDARD UNIT KX057-5R1 COMPLETE ORDER AND PRICE				
BASIC UNIT:				
KX057-5R1	Excavator Basic Unit	K56K940A72	12,048	\$74,922.00
	With: Rubber Tracks			
	4-Post ROPS/OPG (Top Guard, Level I) Canopy			
	Dozer Blade			
	Dipper arm			
	Counterweight			
	One Service Port			
ATTACHMENTS:				
K7915	Quick Coupler	K938A60	96	\$1,235.00
K7919	24" 6.3 cu. ft. Trenching Bucket	K1K311A00	295	\$1,725.00
				\$77,882.00
STANDARD UNIT KX057-5R3AP COMPLETE ORDER AND PRICE				
BASIC UNIT:				
KX057-5R3AP	Excavator Basic Unit	K65K327A32	12,048	\$85,957.00
	With: Rubber Tracks			
	Air Conditioned ROPS/OPG (Top Guard, Level I) Cab			
	Angle Dozer Blade			
	Dipper arm			
	Counterweight			
	Two Service Ports			
ATTACHMENTS:				
K7915	Quick Coupler	K938A60	96	\$1,235.00
K7937B	Hydraulic Thumb	K1K779A92	195	\$2,342.00
K7919	24" 6.3 cu. ft. Trenching Bucket	K1K311A00	295	\$1,725.00
				\$91,259.00

KUBOTA**K Series KX057-5**

ORDER CODE	DESCRIPTION	FACTORY NUMBER	APPROX. SHIP WT.	SUGGESTED LIST PRICE
PART 1	MODEL KX057-5 BASIC UNITS			
KX057-5R1	Excavator Basic Unit	K56K940A72	12,048	\$74,922.00
With:	Rubber Tracks, 4-Post ROPS/OPG (Top Guard, Level I) Canopy, Dozer Blade, Dipper Arm, Counterweight			
KX057-5R1P	Excavator Basic Unit (Discontinued Model)	K58K279A84	12,048	\$76,684.00
With:	Rubber Tracks, 4-Post ROPS/OPG (Top Guard, Level I) Canopy, Dozer Blade, Dipper Arm, Counterweight, SP2			
KX057-5R1A	Excavator Basic Unit	K59K283A80	12,048	\$78,005.00
With:	Rubber Tracks, 4-Post ROPS/OPG (Top Guard, Level I) Canopy, Angle Blade, Dipper Arm, Counterweight			
KX057-5R1AP	Excavator Basic Unit	K60K622A16	12,048	\$79,766.00
With:	Rubber Tracks, 4-Post ROPS/OPG (Top Guard, Level I) Canopy, Angle Blade, Dipper Arm, Counterweight, SP2			
KX057-5R3	Excavator Basic Unit	K62K181A68	12,048	\$81,818.00
With:	Rubber Tracks, A/C ROPS/OPG (Top Guard, Level I) Cab, Dozer Blade, Dipper Arm, Counterweight			
KX057-5R3P	Excavator Basic Unit	K63K520A80	12,048	\$83,580.00
With:	Rubber Tracks, A/C ROPS/OPG (Top Guard, Level I) Cab, Dozer Blade, Dipper Arm, Counterweight, SP2			
KX057-5R3A	Excavator Basic Unit	K64K524A76	12,048	\$84,901.00
With:	Rubber Tracks, A/C ROPS/OPG (Top Guard, Level I) Cab, Angle Blade, Dipper Arm, Counterweight			
KX057-5R3AP	Excavator Basic Unit	K65K327A32	12,048	\$85,957.00
With:	Rubber Tracks, A/C ROPS/OPG (Top Guard, Level I) Cab, Angle Blade, Dipper Arm, Counterweight, SP2			
KX057-5S3A	Excavator Basic Unit (Discontinued Model)	K65K780A28	12,048	\$86,553.00
With:	Steel Tracks, A/C ROPS/OPG (Top Guard, Level I) Cab, Angle Blade, Dipper Arm, Counterweight			
KX057-5S3AP	Excavator Basic Unit	K66K582A84	12,048	\$87,609.00
With:	Steel Tracks, A/C ROPS/OPG (Top Guard, Level I) Cab, Angle Blade, Dipper Arm, Counterweight, SP2			
Part 2	Pin Grabber Attachments & Buckets			
K6131	KX057-5 Pin Grabber Coupler	K3K496A00	188	\$4,600.00
K6142	KX057-5 Pin Grabber Completion Kit Order if Pin Grabber Coupler is ordered	K752A40	33	\$990.00
K6124	KX057-5 Hydraulic Thumb - Pin Grabber Order hydraulic thumb if Pin Grabber Coupler is ordered	#N/A	#N/A	#N/A
	Pin On Buckets [Pins included with Bucket]			
K6163	12" Pin On Trenching Bucket	K1K387A00		\$1,825.00
K6164	18" Pin On Trenching Bucket	K1K463A00		\$1,925.00
K6164C	18" Pin On Trenching Bucket w/o Teeth	K1K463A00		\$1,925.00
K6165	24" Pin On Trenching Bucket	K1K634A00		\$2,150.00
K6165C	24" Pin On Trenching Bucket w/o Teeth	K1K634A00		\$2,150.00
K6166	30" Pin On Trenching Bucket	K1K786A00		\$2,350.00

KUBOTA**K Series KX057-5**

ORDER CODE	DESCRIPTION	FACTORY NUMBER	APPROX. SHIP WT.	SUGGESTED LIST PRICE
Part 2 Continued	Pin On Buckets [Pins included with Bucket]			
K6167	36" Pin On Trenching Bucket	K1K957A00		\$2,575.00
K6134	36" Pin On Grading Bucket	K1K455A40		\$1,915.00
K6136	48" Pin On Drainage Bucket	K1K672A00		\$2,200.00
Part 3	QUICK ATTACH BUCKETS			
K7915	Quick Coupler Includes two mounting pins, 1 locking pin and hardware.	K855A00	96	\$1,125.00
K7916	Bucket Hangers Set of two ear blanks. Converts buckets to quick coupler style. Modification to match bucket contour required.	K269A04	97	\$354.00
K7917	12 inch 3.00 cu. ft. Trenching Bucket [Bucket teeth and thumb tines do not mesh]	K1K064A00	226	\$1,400.00
K7918	18 inch 4.50 cu. ft. Trenching Bucket The K7918A bucket has four teeth. The K7937A thumb tines contact the end of the teeth and do not mesh between the teeth.	K1K178A00	295	\$1,550.00
K7918C	18 inch 4.50 cu. ft. Trenching Bucket This is the same bucket as K7918A (WITHOUT shanks for teeth)	K1K178A00	#N/A	\$1,550.00
K7919	24 inch 6.30 cu. ft. Trenching Bucket	K1K311A00	295	\$1,725.00
K7919C	24 inch 6.30 cu. ft. Trenching Bucket This is the same bucket as K7919A (WITHOUT shanks for teeth)	K1K311A00	180	\$1,725.00
K7920	30 inch 8.00 cu. ft. Trenching Bucket	K1K436A40	338	\$1,890.00
K7921	36 inch 8.00 cu. ft. Trenching Bucket	K1K710A00	368	\$2,250.00
K7926	36 inch 3.48 cu. ft. Cemetery Bucket	K1K276A80	265	\$1,680.00
K7922A	36 inch 6.64 cu. ft. Drainage Bucket Pre-drilled for bolt on cutting edge.	K1K227A40	270	\$1,615.00
K7922	36 inch 6.64 cu. ft. Drainage Bucket (PLANNED ONLY) Pre-drilled for bolt on cutting edge.	K1K406A00	270	\$1,850.00
K7474A	Bolt On Cutting Edge for K7922A 36" Drainage Bucket	K161A12	36	\$212.00
K7924A	48 inch 8.50 cu. ft. Grading Bucket Pre-drilled for bolt on cutting edge. Not authorized	K1K754A08	400	\$2,308.00
K7924	48 inch 8.50 cu. ft. Grading Bucket (PLANNED ONLY) Pre-drilled for bolt on cutting edge. Not authorized for use on models with K7937A thumb	K1K754A08	400	\$2,308.00
K7878A	Bolt On Cutting Edge for K7924A 48" Grading	K215A08	51	\$283.00
Part 4	ATTACHMENTS			
K7937B	HYDRAULIC THUMB KIT K7915 Quick Coupler required.	K1K779A92	195	\$2,342.00
K7932	FROST RIPPER	K997A88	315	\$1,313.00
K7270	CANOPY WORK LIGHT KIT	K117A80	6	\$155.00
K7278	TRAVEL ALARM KIT Emits an audible signal when traveling forward or reverse.	K136A80	6	\$180.00
K7280	Steel Crawler Kit (Converts tracks from rubber to steel)	K4K105A52	439	\$5,402.00



K Series KX057-5

K7440	BOLT ON RUBBER PAD KIT (400 mm, 15.7")	K3K099A28	250	\$4,078.00
	Machine must be equipped with steel tracks. This kit includes 78 bolt on pads to be installed on the existing steel grousers (Individual pads can be ordered separate through parts if needed for individual replacement) Part # 77700-10394			
Part 5	ROPS / OPG (Top Guard, Level I)			
K7272	REPLACEMENT 4-POST ROPS / OPG (Top Guard, Level I)	K1K188A64	6	\$1,564.00
	Canopy			
K7275	REPLACEMENT ROPS / OPG (Top Guard, Level I) CAB	K5K058A56	6	\$6,656.00
	The K7936 cab is configured as a replacement for damaged factory mounted cabs. It does not include cabin electrical wiring, wiper motor, air conditioner, heater, or defroster. Refer to illustrated parts list to order these components.			
K7479	Cab Mirror Kit	K222A68	11	\$293.00
	Includes two side mirrors, one for each side, one rear mirror, and attaching hardware			
K9943A	RETRACTABLE SEAT BELT OPTION (3")	K71A44	3	\$94.00
	As required in some states for OSHA compliance.			
K7283	Keyless Start Kit	K151A24	1	\$199.00
K7284	Rearview Camera	K265A24	1	\$349.00
K7286	Air Suspension Seat Kit (CAB Only)	K645A24	86	\$849.00
K7281	Front Guard Kit (CAB Only)	K3K078A0	66.13999939	\$4,050.00
Part 6	KubotaNOW Telematics Service (each order will require the DCU6700 modem and model specific wiring harness)			
DCU6700	AT&T Telematics Modem	K300A20	1.3	\$395.00
K6704A	Excavator Telematics Wiring Harness	K112A48	1.75	\$148.00
	KubotaNOW Telematics Service includes a three (3) year term			

ALLIED ATTACHMENT CONTACTS

Flail Mower	Rockhound Attachments
Model 30EX	PO Box 22 Hughson, CA 95326 Tel: (800) 426-5615, Fax: (360) 230-2322 Website: http://www.Rockhound.com

Available from Parts

- 70000-73274 Block Heater Kit
- 77700-04753B Radio Kit AM/FM/ WB/ AUX (for Cab models Only)
- 77700-04754B Radio Kit AM/FM/ WB/ AUX/ USB/ iPod/ SAT (for Cab models ONLY)
- 77700-04755B Radio Kit
- 77700-08686 Strobe Light, Class 2, LED, flashing strobe w/ vacuum magnetic mounting
- 77700-08687 Rotating Beacon, Class 1, Halogen (beacon light only) w/ magnetic mounting
- 77700-10379 Wire harness needed for installation of Strobe (77700-08686) and Beacon (77700-08687) on **ROPS machines ONLY**
- RD829-53870 Switch for Strobe (77700-08686) and Beacon (77700-08687) **ROPS** Versions

KUBOTA**KX080-4S2 Excavator
Tight Tail Swing Utility Class Excavator****FEATURES**

Auto Idle
 Rubber Or Steel Track Models
 Air Conditioned ROPS/OPG (Top Guard, Level I) Cab
 Cloth Suspension Seat
 Kubota 2 Hydraulic Pump Load Sensing System
 2 Variable Displacement Pumps
 All Controls Hydraulic Pilot Controls
 Two Operating Pattern Selection System
 Accumulator
 Standard Front Dozer Blade w/ Float
 Optional Float Angle Blade w/ Bolt-on Cutting Edge
 360 Degree Full Rotation
 70 Degree Left, 60 Degree Right Boom Swing
 26.4 gpm Adjustable Auxiliary Hydraulics Port 1
 14.7 gpm Adjustable Auxiliary Hydraulics Port 2
 Thumb Bracket and Relief Valves
 Five Second Quick Preheat System
 Key Switch Stop System
 Half Pitch Rubber Tracks
 Self-Bleed Fuel System
 Auto-Downshift Two Speed Travel System
 Swivel Negative Brake
 Travel Negative Brake
 Third Line

BASIC UNITS

KX080-4S2R3, Rubber Tracks, Air Conditioned
 ROPS/OPG (Top Guard, Level I) Cab, Dozer Blade,
 Dipper Arm, Counter weight
 KX080-4S2R3A, Rubber Tracks, Air Conditioned
 ROPS/OPG (Top Guard, Level I) Cab, Angle Dozer
 Blade, Dipper Arm, Counter weight
 KX080-4S2S3, Steel Tracks, Air Conditioned
 ROPS/OPG (Top Guard, Level I) Cab, Dozer Blade,
 Dipper Arm, Counter weight
 KX080-4S2S3A, Steel Tracks, Air Conditioned
 ROPS/OPG (Top Guard, Level I) Cab, Angle Dozer
 Blade, Dipper Arm, Counter weight
 KX080-4S2W3, 24" Wide Steel Tracks, Air Conditioned
 ROPS/OPG (Top Guard, Level I) Cab, Wide Dozer
 Blade, Dipper Arm, Counter weight

ENGINE

V3307 Kubota DI CRS Turbo Tier 4 Final Diesel Engine
 4 Cylinder, 4 Cycle
 66.6 Gross HP @ 2000 rpm (SAE J1995)
 62.3 Net HP @ 2200 rpm (SAE J1349)

OPERATIONAL DIMENSIONS

Max Digging Depth	15' 1"
Max Digging Radius @ Ground Level	23' 6.3"
Max Vertical Digging Depth	12' 7.6"
Max Dumping Height	17' 2.7"

DOZER BLADE DIMENSIONS

Width	86.6"
Height	19.7"
Lift Above Ground	19.7"
Drop Below Ground	19.7"

PERFORMANCE

Digging Force @ Bucket (K7427)	14,660 lbs.
Digging Force @ Dipper Arm	8,554 lbs.
Travel Speed (Low / High)	1.7/3.1mph
Climbing Ability	36% / 20°
Lift Capacity	6,500 lbs.
<ul style="list-style-type: none"> • Over Front • Blade Grounded • 4.0 Ft. Load Point Height • 12.0 Ft. Load Radius 	

DIMENSIONS AND OPERATING WEIGHT

KX080-4S2R3, Rubber Tracks, Air Cond. ROPS/OPG (Top Guard, Level I) Cab, Dozer Blade, Dipper Arm, Counter weight	
Overall Length	21' 1.9"
Overall Width	7' 2.6"
Overall Height	8' 4"
Operating Weight*	18,280 lbs.
Ground Clearance	15.4"
KX080-4S2S3, Steel Tracks, Air Cond. ROPS/OPG (Top Guard, Level I) Cab, Dozer Blade, Dipper Arm, Counter weight	
Overall Length	21' 1.9"
Overall Width	7' 2.6"
Overall Height	8' 4"
Operating Weight*	18,390 lbs.
Ground Clearance	15.4"

* Includes operator's weight, 175 lbs.



K Series KX080-4S2

HOW TO SELECT A KX080-4S2 EXCAVATOR (Sample Order Information Page)

Below are examples of a complete KX080-4S2 order. To submit your order, please select the Basic Unit Model that you desire from Part 1. Then select the attachments from Parts 2 and 3 needed to complete your order.

STEP 1)	Select from Part 1 the Basic Unit that fits your needs. For example, choose a KX080-4S2R3A and get: Base model, rubber tracks, air conditioned ROPS/OPG (Top Guard, Level I) cab, angle dozer blade, dipper arm, and counterweight.
STEP 2)	Select from Parts 2 and 3 the attachments necessary to make the unit a complete machine. Choose buckets and quick couplers, thumb

(SAMPLE ORDER)

ORDER CODE	DESCRIPTION	FACTORY NUMBER	APPROX. SHIP WT.	SUGGESTED LIST PRICE
STANDARD UNIT KX080-4S2R3A COMPLETE				
BASIC UNIT:				
KX080-4S2R3A	Excavator Basic Unit	K90K240A88	19,456	\$118,738.00
With:	Rubber Tracks Air Conditioned ROPS/OPG (Top Guard, Level I) Cab Angle Dozer Blade Dipper arm Counterweight			
ATTACHMENTS:				
K7429	36" 12.1 cu. ft. Pin-on TRENCHING BUCKET	K2K375A00	1	\$3,125.00
				<u>\$121,863.00</u>
STANDARD UNIT KX080-4S2S3 COMPLETE ORDER AND PRICE				
BASIC UNIT:				
KX080-4S2S3	Excavator Basic Unit	K85K805A52	18,706	\$112,902.00
With:	Steel Tracks (450 mm, 17.7") Air Conditioned ROPS/OPG (Top Guard, Level I) Cab Dozer Blade Dipper arm Counterweight			
ATTACHMENTS:				
K7402A	QUICK COUPLER	K1K680A36	180	\$2,211.00
K7429	36" 12.1 cu. ft. TRENCHING BUCKET	K2K375A00	1	\$3,125.00
K7405A	HYDRAULIC THUMB	K4K398A88	370	\$5,788.00
				<u>\$124,026.00</u>

KUBOTA**K Series KX080-4S2**

ORDER CODE	DESCRIPTION	FACTORY NUMBER	APPROX. SHIP WT.	SUGGESTED LIST PRICE
PART 1	MODEL KX080-4S BASIC UNITS			
KX080-4S2R3	EXCAVATOR BASIC UNIT	K85K805A52	18,596	\$112,902.00
With:	Rubber Tracks, Air Conditioned ROPS/OPG (Top Guard, Level I) Cab, Dozer Blade, Dipper Arm, Counterweight			
KX080-4S2R3A	EXCAVATOR BASIC UNIT	K90K240A88	19,456	\$118,738.00
With:	Rubber Tracks, Air Conditioned ROPS/OPG (Top Guard, Level I) Cab, Angle Dozer Blade, Dipper Arm, Counterweight			
KX080-4S2S3	EXCAVATOR BASIC UNIT	K85K805A52	18,706	\$112,902.00
With:	Steel Tracks (450 mm, 17.7"), Air Conditioned ROPS/OPG (Top Guard, Level I) Cab, Dozer Blade, Dipper Arm, Counterweight			
KX080-4S2S3A	EXCAVATOR BASIC UNIT	K90K240A88	19,566	\$118,738.00
With:	Steel Tracks (450 mm, 17.7"), Air Conditioned ROPS/OPG (Top Guard, Level I) Cab, Angle Dozer Blade, Dipper Arm, Counterweight			
KX080-4S2SW3	EXCAVATOR BASIC UNIT	K88K901A76	18,707	\$116,976.00
With:	Wide Steel Tracks (600 mm, 24"), Air Conditioned ROPS/OPG (Top Guard, Level I) Cab, 92.5" Wide Dozer Blade, Dipper Arm, Counterweight			
Part 2	Pin Grabber Attachments	K3K952A00		\$4,600.00
K6141	KX080-4S2 Pin Grabber Coupler			
K6162	KX080-4S2 Pin Grabber Completion Kit Order with K6141 Pin Grabber Coupler	K752A40	33	\$990.00
K6125	KX080-4S2 Hydraulic Thumb for Pin Grabber Coupler Order hydraulic thumb if Pin Grabber Coupler is ordered	#N/A	#N/A	#N/A
Part 3	BUCKETS			
	PIN-ON BUCKETS (Pins included with the Buckets)			
K7416	18 inch 6.5 cu. ft. TRENCHING BUCKET	K1K976A00	405	\$2,600.00
K7417	24 inch 9.4 cu. ft. TRENCHING BUCKET	K2K280A00	460	\$3,000.00
K7418	30 inch 10.8 cu. ft. TRENCHING BUCKET	K2K660A00	505	\$3,500.00
K7419	36 inch 12.1 cu. ft. TRENCHING BUCKET	K2K774A00	539	\$3,650.00
K7436	48 inch 10.8 cu. ft. GRADING BUCKET	K2K926A00	565	\$3,850.00
K7437	54 inch 12.2 cu. ft. GRADING BUCKET	K3K040A00	615	\$4,000.00
K7438	60 inch 13.5 cu. ft. GRADING BUCKET	K3K226A20	665	\$4,245.00
	QUICK ATTACH BUCKETS			
K7402A	QUICK COUPLER Includes two mounting pins, 1 locking pin, and hardware.	K1K680A36	180	\$2,211.00
K7407	BUCKET HANGERS Set of two ear blanks. Converts buckets to quick coupler style. Modification to match bucket contour required.	K392A92	139	\$517.00
K7426A	18 inch 6.5 cu. ft. TRENCHING BUCKET (RETAIL ONLY) The K7426 bucket has four teeth. The K7405 thumb tines contact the end of the teeth and do not mesh between the teeth.	K1K865A04	393	\$2,454.00
K7426	18" 6.5 cu.ft. TRENCHING BUCKET (PLANNED ONLY)	K1K865A04	393	\$2,454.00

KUBOTA**K Series KX080-4S2**

ORDER CODE	DESCRIPTION	FACTORY NUMBER	APPROX. SHIP WT.	SUGGESTED LIST PRICE
K7427A	24 inch 9.4 cu. ft. TRENCHING BUCKET (RETAIL ONLY)	K2K229A08	448	\$2,933.00
K7427	24" 9.4 cu.ft. TRENCHING BUCKET (PLANNED ONLY)	K2K229A08	448	\$2,933.00
K7428A	30 inch 10.8 cu. ft. TRENCHING BUCKET (RETAIL ONLY)	K2K419A84	493	\$3,184.00
K7428	30" 10.8 cu.ft. TRENCHING BUCKET (PLANNED ONLY)	K2K419A84	493	\$3,184.00
K7429A	36 inch 12.1 cu. ft. TRENCHING BUCKET (RETAIL ONLY)	K2K701A04	527	\$3,554.00
K7429	36" cu.ft. TRENCHING BUCKET (PLANNED ONLY)	K2K701A04	527	\$3,554.00
K7441A	48 inch 10.8 cu. ft. GRADING BUCKET (RETAIL ONLY)	K2K549A80	565	\$3,355.00
K7441	48 inch 10.8 cu. ft. GRADING BUCKET (PLANNED ONLY)	K2K549A80	565	\$3,355.00
K7442A	54 inch 12.2 cu. ft. GRADING BUCKET (RETAIL ONLY) K7494 Additional Weight Kit required with K7405A Thumb	K2K668A36	615	\$3,511.00
K7442	54 inch 12.2 cu. ft. GRADING BUCKET (PLANNED ONLY) K7494 Additional Weight Kit required with K7405A Thumb	K2K668A36	603	\$3,511.00
K7443A	60 inch 13.5 cu. ft. GRADING BUCKET (RETAIL ONLY) K7494 Additional Weight Kit required with K7405A Thumb	K2K769A44	665	\$3,644.00
K7443	60 inch 13.5 cu. ft. GRADING BUCKET (PLANNED ONLY) K7494 Additional Weight Kit required with K7405 Thumb	K2K769A44	652	\$3,644.00
K7444A	54 inch 9.6 cu. ft. TILT GRADING BUCKET (RETAIL ONLY) Includes hoses and fittings. Tilts 45° each direction K7494 Additional Weight Kit required with K7405 Thumb	K7K862A20	850	\$10,345.00
K7444	54 inch 9.6 cu. ft. TILT GRADING BUCKET (PLANNED ONLY) Includes hoses and fittings. Tilts 45° each direction K7494 Additional Weight Kit required with K7405 Thumb	K7K862A20	1	\$10,345.00
K7448	60 inch GRADING BLADE	K2K039A84	500	\$2,684.00
K7451	BOLT-ON CUTTING EDGE For K7436 and K7441 48" grading buckets	K146A68	79	\$193.00
K7451A	BOLT-ON CUTTING EDGE For K7436 and K7441 48" grading buckets	K171A00	79	\$225.00
K7452	BOLT-ON CUTTING EDGE For K7437, K7442, and K7444 54" grading buckets	K169A48	89	\$223.00
K7452A	BOLT-ON CUTTING EDGE For K7437, K7442, and K7444 54" grading buckets	K195A32	89	\$257.00
K7453	BOLT-ON CUTTING EDGE For K7438, and K7443 60" grading buckets	K183A16	109	\$241.00
K7453A	BOLT-ON CUTTING EDGE For K7438, and K7443 60" grading buckets	K212A80	109	\$280.00
K7405A	HYDRAULIC THUMB KIT K7402 quick coupler required	K4K398A88	370	\$5,788.00
PART 4	ATTACHMENTS			
K7449A	Brush Guard Kit	K2K567A28	300	\$3,378.00

KUBOTA**K Series KX080-4S2**

ORDER CODE	DESCRIPTION	FACTORY NUMBER	APPROX. SHIP WT.	SUGGESTED LIST PRICE
K4080	FLAIL BRUSH SHREDDER Quick coupler mount, integrated thumb saddle, hoses, hydraulic quick couplers, safety chain debris deflector guards, manual	K13K847A96	1400	\$18,221.00
K4081	Replacement Blade Kit for K4080 Shredder	K486A40	91	\$640.00
K7462	EXCAVATING RAKE, PIN ON 36"	K3K555A28	533	\$4,678.00
K7463	EXCAVATING RAKE, 36", Quick Attach	K3K406A32	555	\$4,482.00
K7464	EXCAVATING RAKE, 48", Pin-on	K3K895A76	720	\$5,126.00
K7465	EXCAVATING RAKE, 48", Quick Attach	K3K546A92	707	\$4,667.00
K7467	FROST RIPPER, 24", Pin-On	K1K282A12	315	\$1,687.00
K7466	FROST RIPPER, 24", Quick Attach	K1K231A20	295	\$1,620.00
K7468	SOLID TINE GRAPPLE, 36", Pin-on	K5K609A56	1015	\$7,381.00
K7471	COMPACTION WHEEL, 18", Pin-On	K5K087A44	980	\$6,694.00
K7492	STEEL CRAWLER KIT (450 mm, 17.7") Convert tracks from rubber to steel***This Kit (7492) is ONLY compatible with Super Series and Super Series 2 machines. K7482A is required for non "Super Series" machines.	K5K436A28	1877	\$7,153.00
K7481	REPLACEMENT BOLT-ON RUBBER SHOE KIT (450 mm, 17.7") Convert steel tracks to composite tracks. Machine must Removal of existing steel pads is required and these composite pads are installed in place of steel pads (Individual pads can be ordered separate through parts if needed for individual replacement) Part #RD819-22810	K4K794A84	300	\$6,309.00
K7439	BOLT ON RUBBER PAD KIT (450 mm, 17.7") Machine must be equipped with steel tracks. This kit includes 78 bolt on pads to be installed on the existing steel grousers (Individual pads can be ordered separate through parts if needed for individual replacement) Part #77700-09186	K3K502A08	716	\$4,608.00
K7493	STEEL CRAWLER KIT (600 mm, 23.6") Convert tracks from rubber to steel. The K7446 weld-on dozer blade extensions are recommended for the K7493. *** NOT authorized for angle blade models *** This Kit (K7493) is ONLY compatible with Super Series and Super Series 2 machines. K7483A is required for non "Super Series" version	K5K902A92	300	\$7,767.00
K7446	DOZER BLADE EXTENSION KIT Kit consists of left / right blade extensions, two tie down labels, and an Installation Manual. The extensions are welded to the dozer blade to match the width of the K7493 Steel Track Conversion Kit.	K334A40	48	\$440.00



K Series KX080-4S2

ORDER CODE	DESCRIPTION	FACTORY NUMBER	APPROX. SHIP WT.	SUGGESTED LIST PRICE
K7491	TRAVEL ALARM KIT Emits an audible signal when traveling forward or reverse. ***This Kit (K7491) is ONLY compatible with Super Series and Super Series 2 machines. K7445 is required for non "Super Series" version	K97A28	1	\$128.00
K7494	ADDITIONAL WEIGHT KIT Bolts on to the existing counter weight. Increases minimum tail ***This Kit (K7494) is ONLY compatible with Super Series and K7459 is required for non "Super Series" version	K845A12	440	\$1,112.00
K9798	Hydraulic Case Drain Kit This kit is an additional line that allows oil to return back to tank for the purpose of a motor case drain	K265A24	30	\$349.00
Part 5 K7469B	ROPS / OPG (Top Guard, Level I) REPLACEMENT ROPS / OPG (Top Guard, Level I) CAB The K7469 Cab is configured as a replacement for damaged factory mounted cabs. It does not include cabin electrical wiring, wiper motor, air conditioner, heater, or defroster. Refer to illustrated parts list to order these components	K7K055A08	463	\$9,283.00
K9943A	RETRACTABLE SEAT BELT OPTION (3") As required in some states for OSHA compliance. *** Fits all versions of KX080-4 machines (-4, -4s, -4S2) Cab pre-wired with switch. A new bracket must be created for the installation. See installation instructions.	K71A44	3	\$94.00
Part 6	KubotaNOW Telematics Service (each order will require the DCU6700 modem and model specific wiring harness)			
DCU6700	AT&T Telematics Modem	K300A20	1	\$395.00
K6706	Excavator Telematics Wiring Harness	K98A80	2	\$130.00
	KubotaNOW Telematics Service includes a three (3) year term			
	Available from Parts 77700-04753 Radio Kit AM/FM/ WB/ AUX 77700-04754 Radio Kit AM/FM/ WB/ AUX/ USB/ iPod/ SAT 77700-08686 Strobe Light, Class 2, LED, flashing strobe w/ vacuum magnetic mounting 77700-08687 Rotating Beacon, Class 1, Halogen (beacon light only) w/ magnetic mounting 77700-08260 Block Heater			
	***** Kit Numbers for Previous Model KX080-4 *****			

***** The Listed Kits **WILL NOT** interchange with the KX080-4S "Super Series" or "Super Series 2"

K7445	TRAVEL ALARM KIT (For non "Super Series" KX080-4) Emits an audible signal when traveling forward or reverse.	K66A12	1	\$87.00
K7459	ADDITIONAL WEIGHT KIT (For non "Super Series" KX080-4) Bolts on to the existing counter weight. Increases minimum tail turning radius from 4' 9.5" to 4' 11"	K845A12	440	\$1,112.00



K Series Replacement Engines

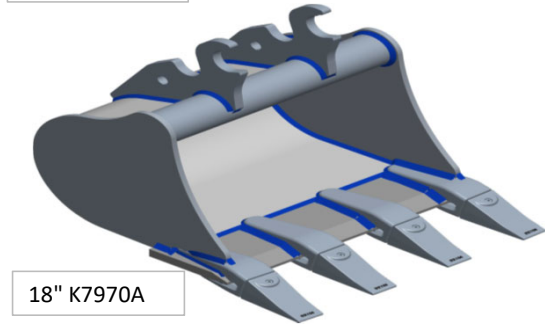
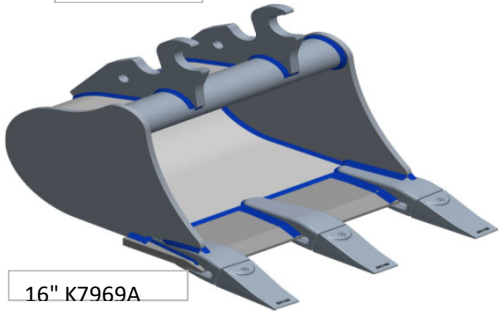
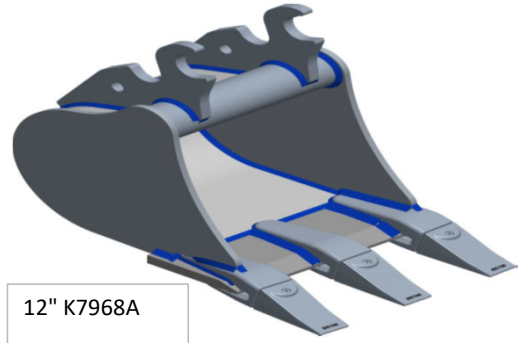
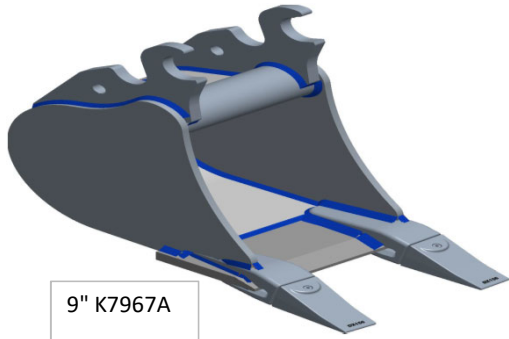
ORDER CODE	DESCRIPTION	FACTORY NUMBER	APPROX. SHIP WT.	SUGGESTED LIST PRICE
------------	-------------	-------------------	---------------------	-------------------------

Effective June 6, 2014 all replacement engines must be ordered through the Parts Department.

See Parts Bulletin
DPB-2014-011 R01

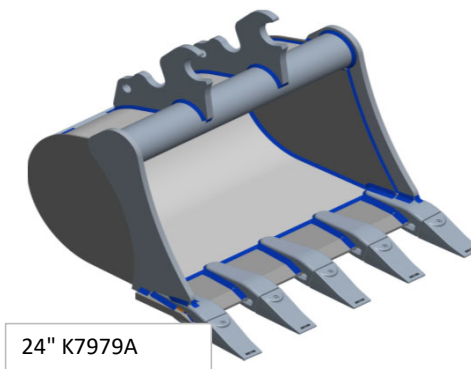
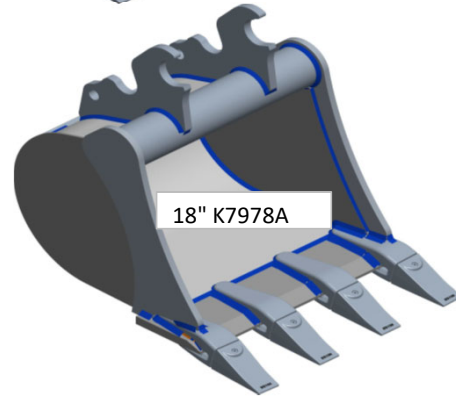
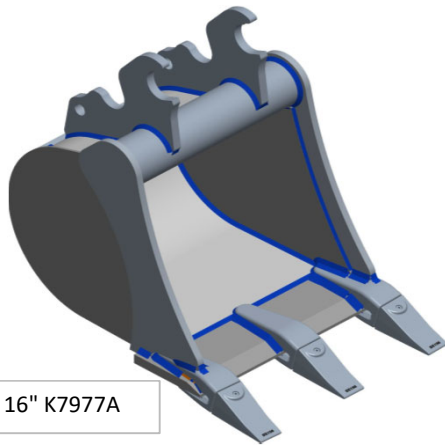
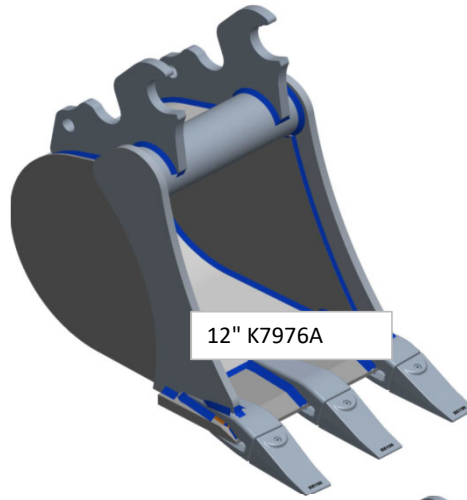
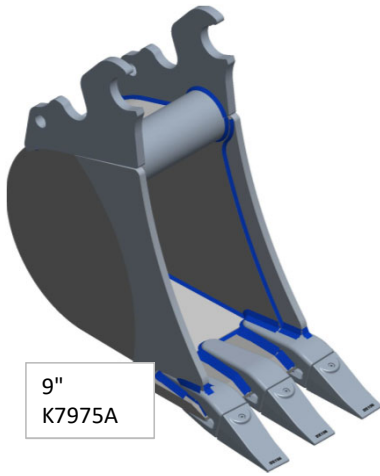
K and U Series Buckets

U17 & KX018-4 Popular Quick Attach Buckets



K and U Series Buckets

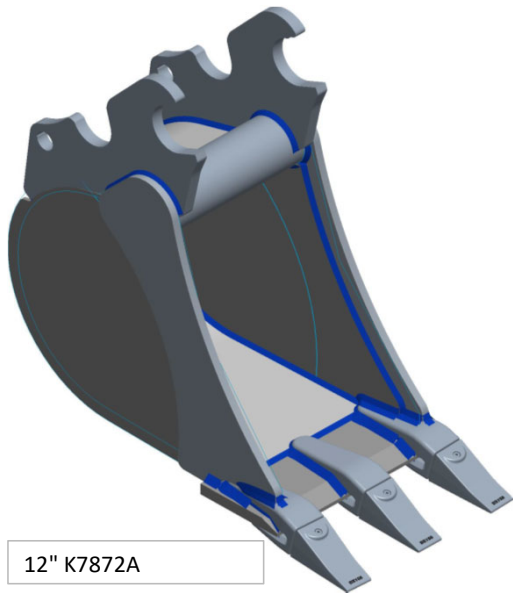
U27 Popular Quick Attach Buckets



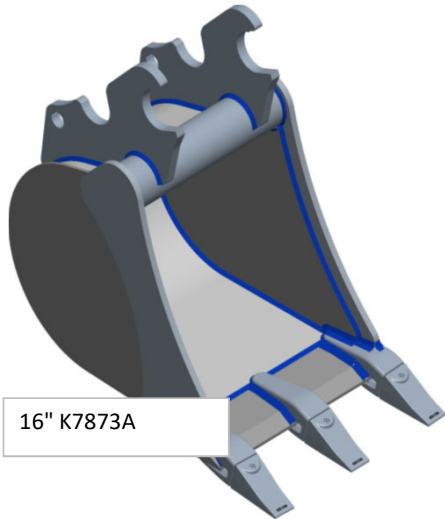


K and U Series Buckets

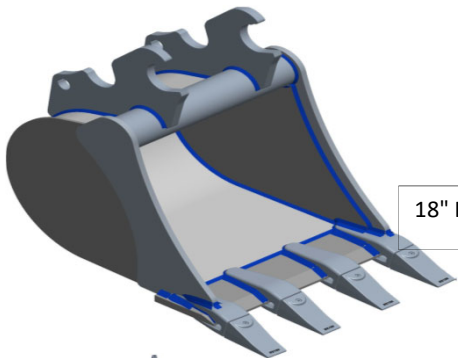
KX71-3, KX033-4, U35, KX040-4 Popular Quick Attach Buckets



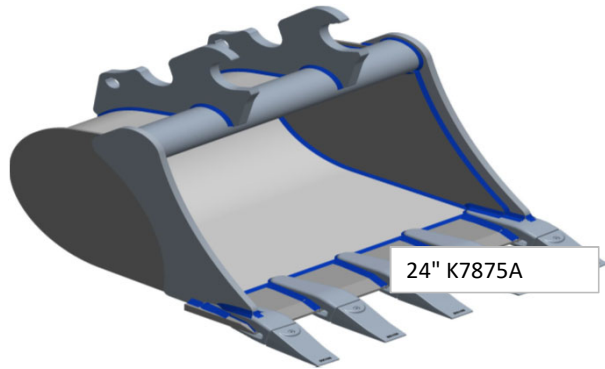
12" K7872A



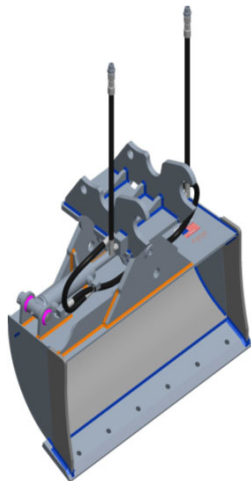
16" K7873A



18" K7874A



24" K7875A



36" Tilt K7473A



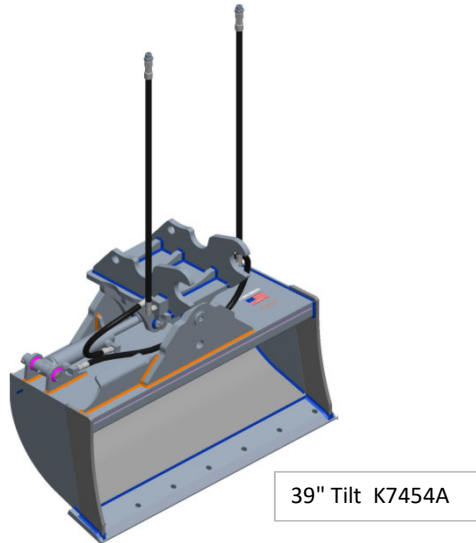
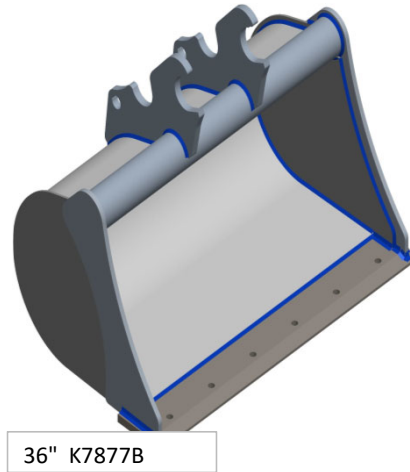
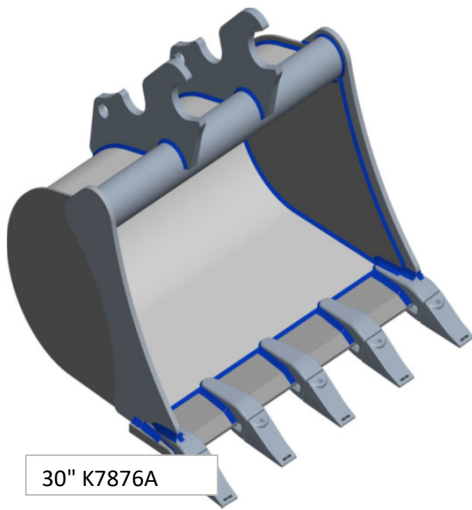
Thumb Kit--

K7910A
A new dipper arm pin with grease zirk must be ordered through parts when ordered for a KX71-3
Recommended thumb for KX71-3 is a K7902

KUBOTA

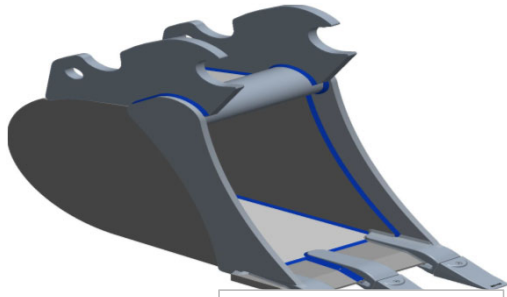
K and U Series Buckets

Approved Buckets for KX040-4 Application **ONLY**

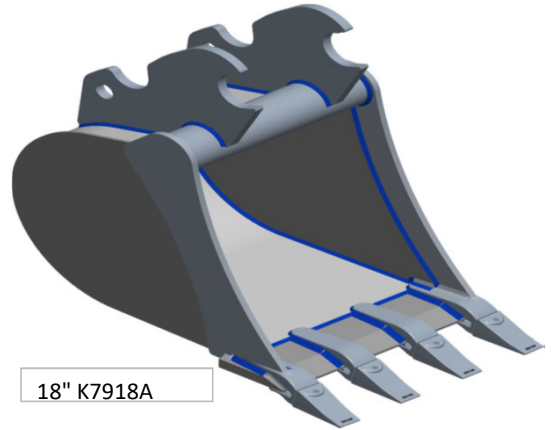


K and U Series Buckets

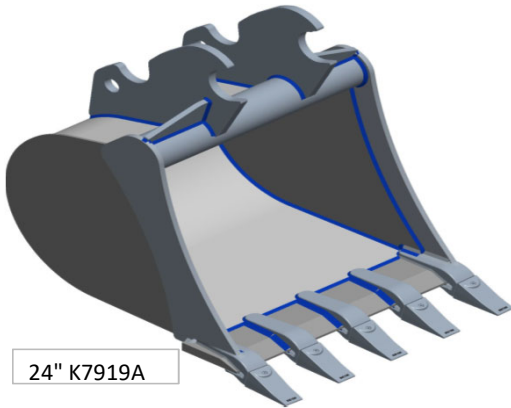
Includes U55-5, & KX057-5 Quick Attach Buckets



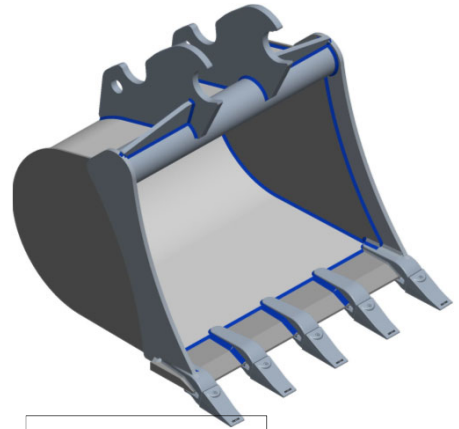
12" K7917A



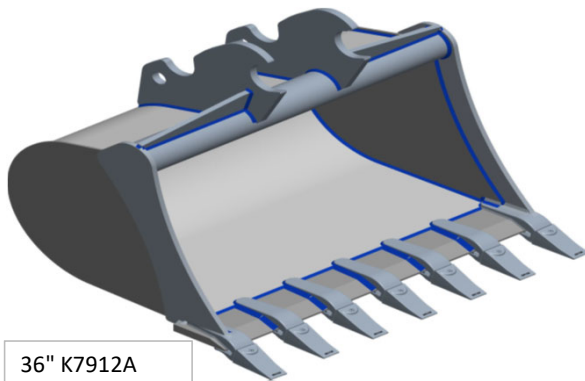
18" K7918A



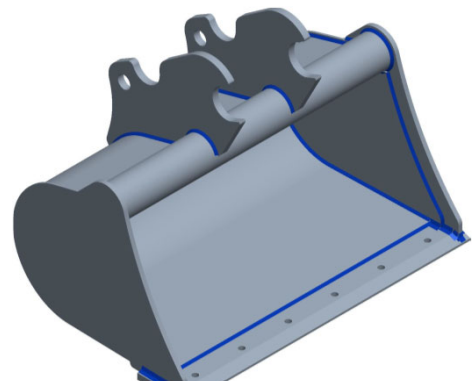
24" K7919A



30" K7920A



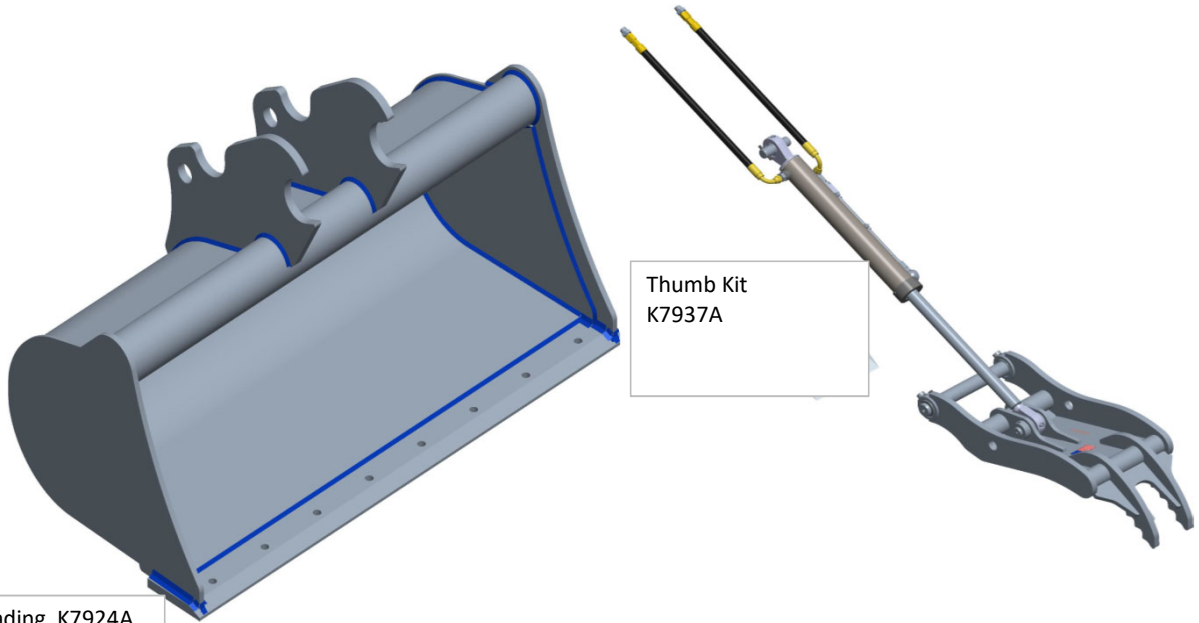
36" K7912A



36" Grading K7922A

K and U Series Buckets

U55 & KX057 Buckets Continued..

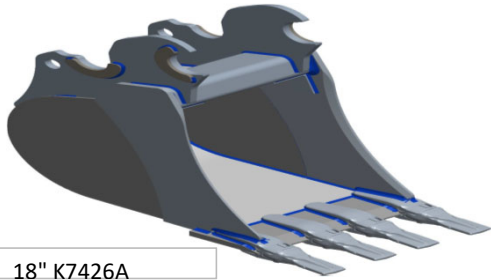


48" Grading K7924A

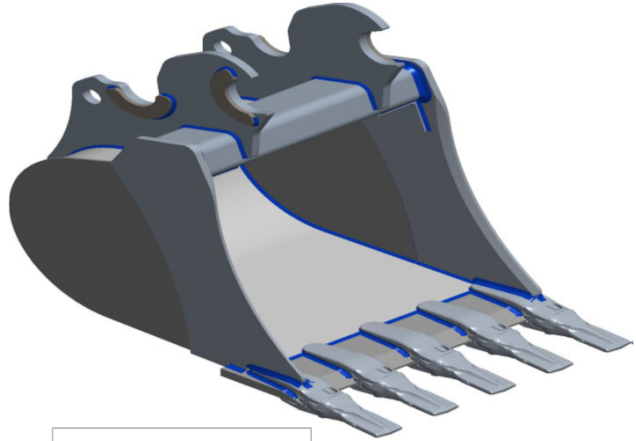
Thumb Kit
K7937A

K and U Series Buckets

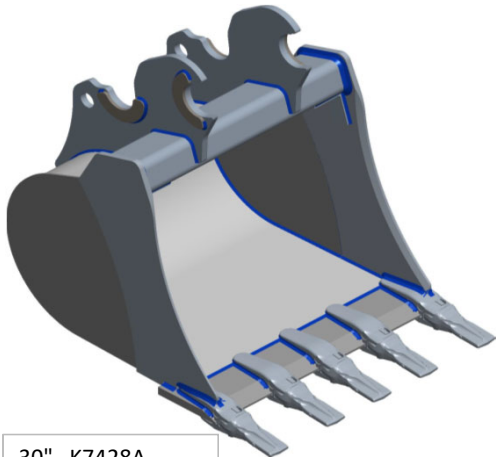
KX080-4S2 Quick Attach Buckets



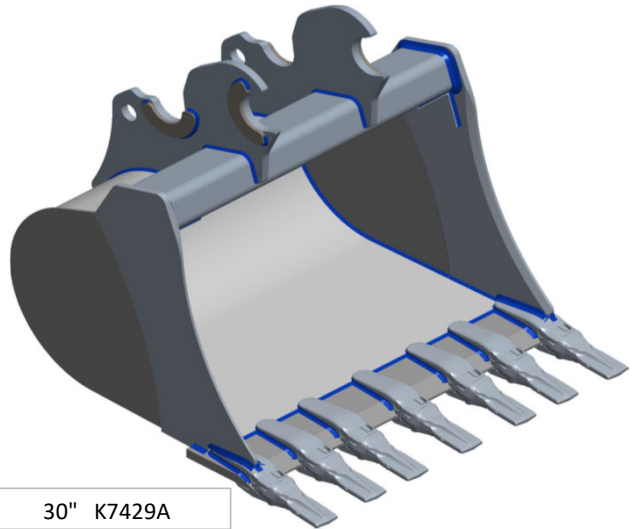
18" K7426A



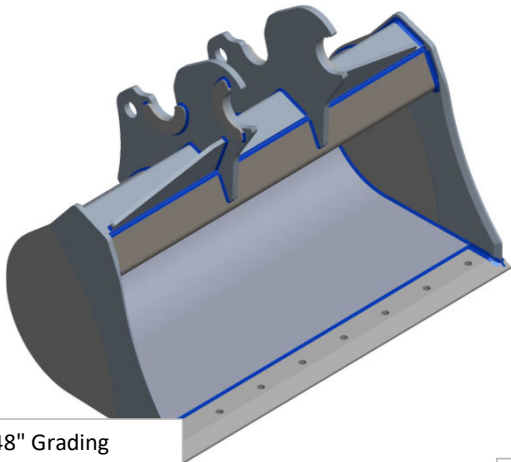
24" K7427A



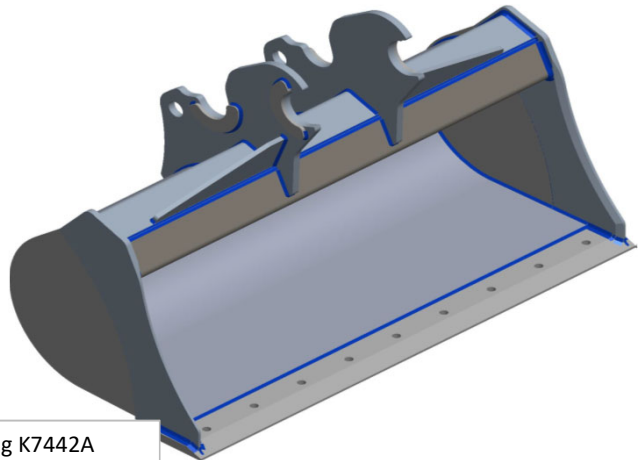
30" K7428A



30" K7429A



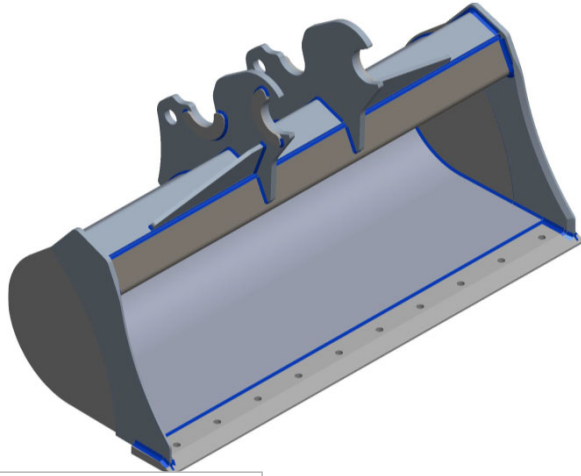
48" Grading
K7441A



54" Grading K7442A

K and U Series Buckets

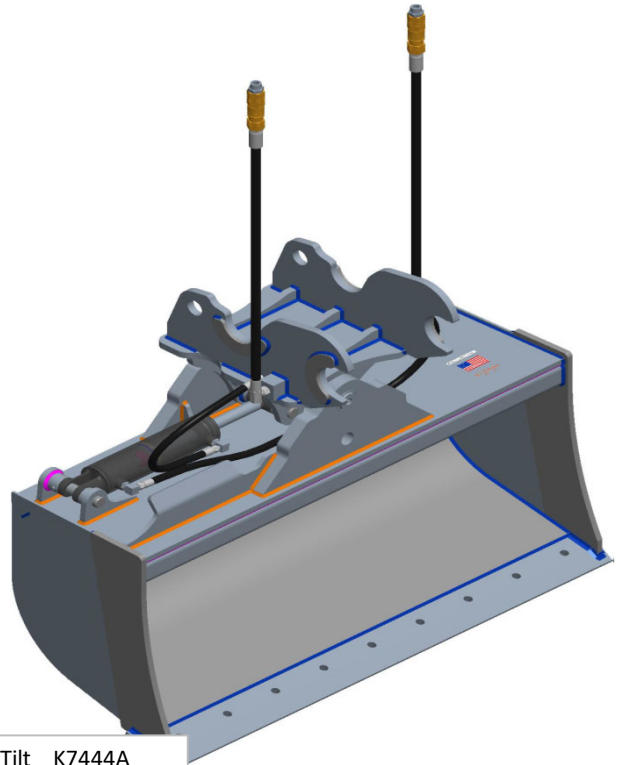
KX080-4S2 Cont.



60" Grading K7443A



Thumb
K7905A



60" Tilt K7444A

KUBOTA